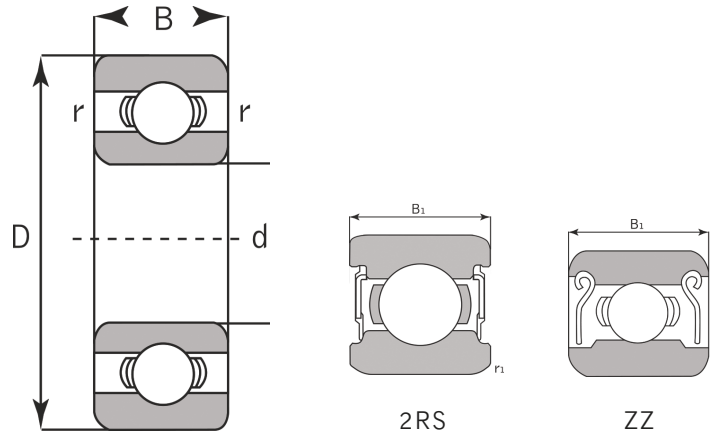




# Single Row Radial Ball Bearings

Wide Series



## W 300 PP

Unit No.	Bore (inch / mm)	Outer Diameter (inch / mm)	Width (inch / mm)	Radius (inch / mm)	Basic Load Rating (lbs)		Weight (lbs)
	d	D	B	r	Dynamic Cr	Static Cor	
W 304 PP	0.7874 <b>20.00</b>	2.0472 <b>52.00</b>	0.7850 <b>22.22</b>	0.039 <b>1</b>	4050	1760	0.470
W 305 PP	0.9843 <b>25.00</b>	2.4409 <b>62.00</b>	1.0000 <b>25.40</b>	0.039 <b>1</b>	6000	2750	0.780
W 306 PP	1.1811 <b>30.00</b>	2.8346 <b>72.00</b>	1.1880 <b>30.18</b>	0.039 <b>1</b>	7650	3550	1.230
W 307 PP	1.3780 <b>35.00</b>	3.1496 <b>80.00</b>	1.3750 <b>34.92</b>	0.059 <b>1.5</b>	8500	4150	1.720
W 308 PP	1.5748 <b>40.00</b>	3.5433 <b>90.00</b>	1.4380 <b>36.53</b>	0.059 <b>1.5</b>	11400	5850	2.250
W 309 PP	1.7717 <b>45.00</b>	3.9370 <b>100.00</b>	1.5620 <b>39.67</b>	0.059 <b>1.5</b>	13400	7100	3.020
W 310 PP	1.9687 <b>50.00</b>	4.3307 <b>110.00</b>	1.7500 <b>44.45</b>	0.079 <b>2</b>	15600	8500	4.030
W 311 PP	2.1654 <b>55.00</b>	4.7244 <b>120.00</b>	1.9380 <b>49.23</b>	0.079 <b>2</b>	18300	10000	5.260
W 312 PP	2.3622 <b>60.00</b>	5.1181 <b>130.00</b>	2.1250 <b>53.98</b>	0.079 <b>2</b>	20800	11600	6.730
W 313 PP	2.5591 <b>65.00</b>	5.5118 <b>140.00</b>	2.3120 <b>58.72</b>	0.079 <b>2</b>	23600	13400	8.560
W 314 PP	2.7559 <b>70.00</b>	5.9055 <b>150.00</b>	2.5000 <b>63.5</b>	0.079 <b>2</b>	26000	15300	10.430
W 315 PP	2.9528 <b>75.00</b>	6.2992 <b>160.00</b>	2.6880 <b>68.28</b>	0.079 <b>2</b>	29000	17300	12.810