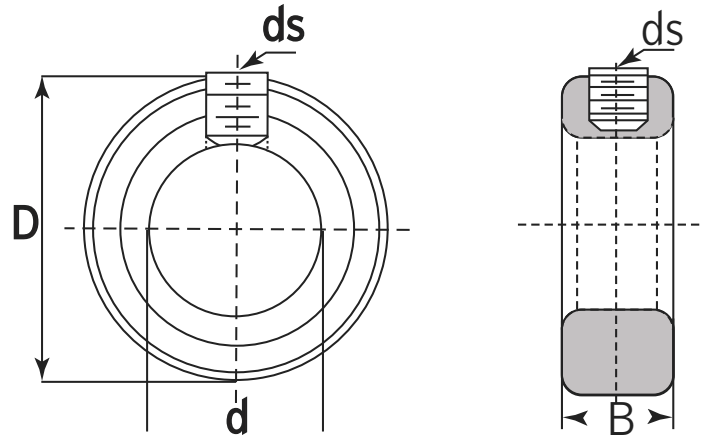


# Solid Type Shaft Collars

## SCSS Series



Unit No.	Dimensions (inch)				Mass	
	d	D	B	ds	kg	lbs
SCSS 1/8	0.125	0.375	0.250	6-32	0.003	0.006
3/16	0.188	0.438	0.250	8-32	0.003	0.006
1/4	0.250	0.500	0.313	10-32	0.006	0.013
5/16	0.313	0.625	0.313	10-32	0.009	0.019
3/8	0.375	0.750	0.375	1/4-20	0.014	0.031
SCSS 7/16	0.438	0.875	0.438	1/4-20	0.023	0.050
1/2	0.500	1.000	0.438	1/4-20	0.031	0.069
9/16	0.563	1.000	0.438	1/4-20	0.029	0.063
5/8	0.625	1.125	0.500	5/16-18	0.043	0.094
11/16	0.688	1.250	0.563	5/16-18	0.057	0.125
SCSS 3/4	0.750	1.250	0.563	5/16-18	0.054	0.119
13/16	0.813	1.313	0.563	5/16-18	0.048	0.106
7/8	0.875	1.500	0.563	5/16-18	0.082	0.181
15/16	0.938	1.625	0.563	5/16-18	0.078	0.171
1	1.000	1.625	0.625	5/16-18	0.079	0.174
SCSS 1-1/16	1.063	1.750	0.625	5/16-18	0.116	0.256
1-1/8	1.125	1.750	0.625	5/16-18	0.111	0.244
1-3/16	1.188	2.000	0.688	3/8-16	0.173	0.381
1-1/4	1.250	2.000	0.688	3/8-16	0.162	0.356
1-5/16	1.313	2.125	0.688	3/8-16	0.188	0.413

Other sizes could be available upon request. Minimum quantity may apply.

Unit No.	Dimensions (inch)				Mass	
	d	D	B	ds	kg	lbs
SCSS 1-3/8	1.375	2.125	0.750	3/8-16	0.190	0.419
1-7/16	1.438	2.250	0.750	3/8-16	0.216	0.475
1-1/2	1.500	2.250	0.750	3/8-16	0.205	0.450
1-9/16	1.563	2.500	0.813	3/8-16	0.304	0.669
1-5/8	1.625	2.500	0.813	3/8-16	0.287	0.631
SCSS 1-11/16	1.688	2.500	0.813	3/8-16	0.270	0.594
1-3/4	1.750	2.625	0.875	1/2-13	0.324	0.713
1-13/16	1.813	2.750	0.875	1/2-13	0.361	0.794
1-7/8	1.875	2.750	0.875	1/2-13	0.347	0.763
1-15/16	1.938	3.000	0.875	1/2-13	0.446	0.981
SCSS 2	2.000	3.000	0.875	1/2-13	0.423	0.931
2-1/8	2.125	3.000	0.875	1/2-13	0.378	0.831
2-3/16	2.188	3.250	0.938	1/2-13	0.529	1.163
2-1/4	2.250	3.250	0.938	1/2-13	0.503	1.106
2-5/16	2.313	3.250	0.938	1/2-13	0.051	0.113
SCSS 2-3/8	2.375	3.250	0.938	1/2-13	0.452	0.994
2-7/16	2.438	3.500	1.000	1/2-13	0.620	1.363
2-1/2	2.500	3.500	1.000	1/2-13	0.591	1.300
2-9/16	2.563	3.750	1.125	1/2-13	0.738	1.623
2-5/8	2.625	4.000	1.125	1/2-13	0.980	2.156
SCSS 2-11/16	2.688	4.000	1.125	1/2-13	0.977	2.150
2-3/4	2.750	4.000	1.125	1/2-13	0.952	2.094
2-7/8	2.875	4.250	1.125	1/2-13	0.844	1.856
2-15/16	2.938	4.250	1.125	1/2-13	0.832	1.831
3	3.000	4.250	1.125	1/2-13	0.786	1.730

Other sizes could be available upon request. Minimum quantity may apply.