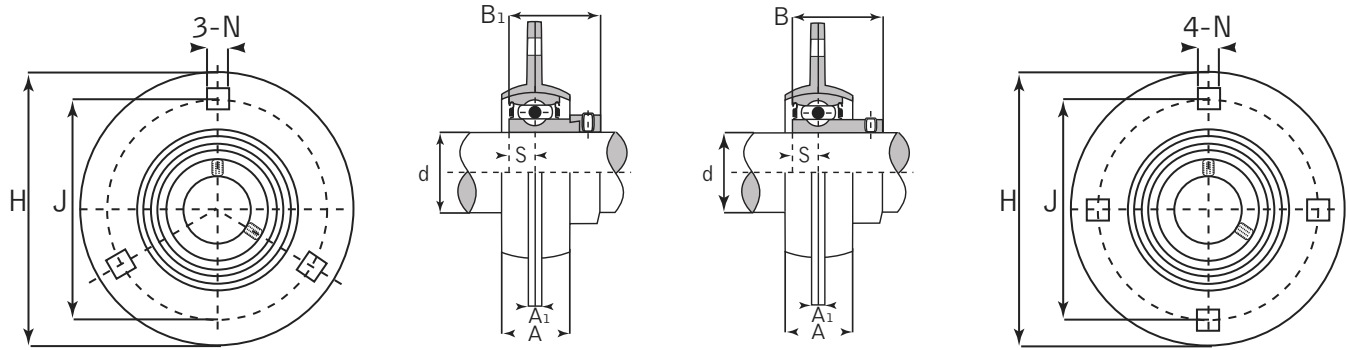


Pressed Steel Unit

Light Duty



SAPF

SBPF

*PF208

SAPF Eccentric Locking Collar

SBPF Set Screw Locking

Unit No. SAPF SBPF	Shaft Dia. (inch / mm)	Dimensions (inch / mm)					SAPF		SBPF		Bearing No. SA / SB	Housing No.	Weight		
		d	H	J	A	A1	N	B1	S	B			S	kg	lbs
201 201-8	12 mm 1/2														
202 202-10	15 mm 5/8	3-3/16	2-1/2	9/16	5/32	9/32	1.1259	0.2559	0.8661	0.2362	201 201-8 202 202-10	PF 203	0.22	0.48	
203 203-11	17 mm 11/16	81	63.5	14	4	7.1	28.6	6.5	22	6	203 203-11				
204 204-12	20 mm 3/4	3-35/64	2-13/16	5/8	5/32	23/64	1.2204	0.2952	0.9842	0.2755	204 204-12	PF 204	0.33	0.73	
205 205-14	25 mm 7/8	3-3/4	2-63/64	23/32	5/32	23/64	1.2204	0.2952	1.0826	0.2952	205 205-14	PF 205	0.38	0.84	
205-15 205-16	15/16 1	95	76	18	4	9	31	7.5	27	7.5	205-15 205-16				
206 206-18	30 mm 1-1/8	4-7/16	3-9/16	23/32	13/64	7/16	1.4055	0.3543	1.1811	0.3149	206 206-18	PF 206	0.62	1.36	
206-19 206-20	1-3/16 1-1/4	113	90.5	18	5.2	11	35.7	9	30	8	206-19 206-20				
207 207-20	35 mm 1-1/4	4-13/16	3-15/16	25/32	13/64	7/16	1.5314	0.3740	1.2598	0.3346	207 207-20	PF 207	0.82	1.80	
207-21 207-22 207-23	1-5/16 1-3/8 1-7/16	122	100	20	5.2	11	38.9	9.5	32	8.5	207-21 207-22 207-23				
*208 *208-24 *208-25	40 mm 1-1/2 1-9/16	5-13/16	4-11/16	13/16	17/64	17/32	1.7204	0.4330	1.3385	0.3543	208 208-24 208-25	PF 208*	1.10	2.42	
		148	119	21	6.8	13.5	43.7	11	34	9					

* PF 208 (four holes flange)