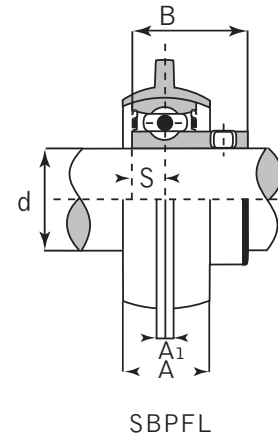
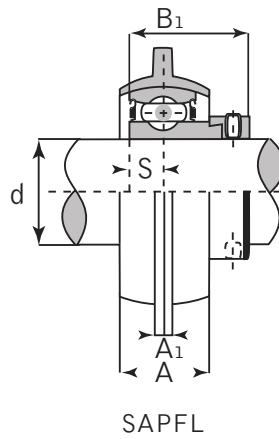
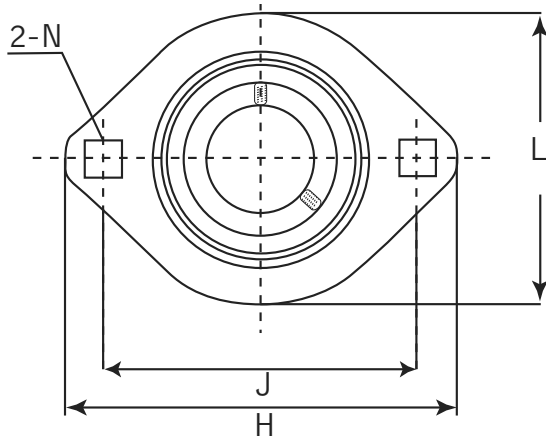




# Pressed Steel Unit

Light Duty



## SAPFL Eccentric Locking Collar SBPFL Set Screw Locking

| Unit No.<br>SAPFL<br>SBPFL | Shaft Dia.<br>(inch / mm) | Dimensions (inch / mm) |                        |                       |                    |                     |                      | SAPFL                 |                      | SBPFL               |                      | Bearing No.<br>SA / SB | Housing<br>No. | Weight  |      |      |
|----------------------------|---------------------------|------------------------|------------------------|-----------------------|--------------------|---------------------|----------------------|-----------------------|----------------------|---------------------|----------------------|------------------------|----------------|---------|------|------|
|                            |                           | d                      | H                      | J                     | L                  | A                   | A1                   | N                     | B1                   | S                   | B                    |                        |                | S       | kg   | lbs  |
| 201<br>201-8               | 12 mm<br>1/2              |                        |                        |                       |                    |                     |                      |                       |                      |                     |                      |                        | 201<br>201-8   | PFL 203 | 0.22 | 0.48 |
| 202<br>202-10              | 15 mm<br>5/8              | 3-3/16<br><b>81</b>    | 2-1/2<br><b>63.5</b>   | 2-5/16<br><b>59</b>   | 9/16<br><b>14</b>  | 5/32<br><b>4</b>    | 17/64<br><b>7.1</b>  | 1.1259<br><b>28.6</b> | 0.2559<br><b>6.5</b> | 0.8661<br><b>22</b> | 0.2362<br><b>6</b>   | 202<br>202-10          |                |         |      |      |
| 203<br>203-11              | 17 mm<br>11/16            |                        |                        |                       |                    |                     |                      |                       |                      |                     |                      | 203<br>203-11          |                |         |      |      |
| 204<br>204-12              | 20 mm<br>3/4              | 3-17/32<br><b>90</b>   | 2-13/16<br><b>71.5</b> | 2-5/8<br><b>67</b>    | 5/8<br><b>16</b>   | 5/32<br><b>4</b>    | 23/64<br><b>9</b>    | 1.2204<br><b>31</b>   | 0.2952<br><b>7.5</b> | 0.9842<br><b>25</b> | 0.2755<br><b>7</b>   | 204<br>204-12          |                |         |      |      |
| 205<br>205-14              | 25 mm<br>7/8              | 3-3/4<br><b>95</b>     | 2-63/64<br><b>76</b>   | 2-25/32<br><b>71</b>  | 23/32<br><b>18</b> | 5/32<br><b>4</b>    | 23/64<br><b>9</b>    | 1.2204<br><b>31</b>   | 0.2952<br><b>7.5</b> | 1.0629<br><b>27</b> | 0.2952<br><b>7.5</b> | 205<br>205-14          |                |         |      |      |
| 205-15<br>205-16           | 15/16<br>1                |                        |                        |                       |                    |                     |                      |                       |                      |                     |                      | 205-15<br>205-16       |                |         |      |      |
| 206<br>206-18              | 30 mm<br>1-1/8            | 4-7/16<br><b>113</b>   | 3-9/16<br><b>90.5</b>  | 3-5/16<br><b>84</b>   | 23/32<br><b>18</b> | 13/64<br><b>5.2</b> | 7/16<br><b>11</b>    | 1.4055<br><b>35.7</b> | 0.3543<br><b>9</b>   | 1.1811<br><b>30</b> | 0.3149<br><b>8</b>   | 206<br>206-18          | PFL 206        | 0.41    | 0.90 |      |
| 206-19<br>206-20           | 1-3/16<br>1-1/4           |                        |                        |                       |                    |                     |                      |                       |                      |                     |                      | 206-19<br>206-20       |                |         |      |      |
| 207<br>207-20              | 35 mm<br>1-1/4            | 4-13/16<br><b>122</b>  | 3-15/16<br><b>100</b>  | 3-11/16<br><b>94</b>  | 25/32<br><b>20</b> | 13/64<br><b>5.2</b> | 7/16<br><b>11</b>    | 1.5314<br><b>38.9</b> | 0.3740<br><b>9.5</b> | 1.2598<br><b>32</b> | 0.3346<br><b>8.5</b> | 207<br>207-20          |                |         |      |      |
| 207-21<br>207-22           | 1-5/16<br>1-3/8           |                        |                        |                       |                    |                     |                      |                       |                      |                     |                      | 207-21<br>207-22       |                |         |      |      |
| 207-23                     | 1-7/16                    |                        |                        |                       |                    |                     |                      |                       |                      |                     |                      | 207-23                 |                |         |      |      |
| 208<br>208-24              | 40 mm<br>1-1/2            | 5-13/16<br><b>148</b>  | 4-11/16<br><b>119</b>  | 3-15/16<br><b>100</b> | 13/16<br><b>21</b> | 17/64<br><b>6.8</b> | 17/32<br><b>13.5</b> | 1.7204<br><b>43.7</b> | 0.4330<br><b>11</b>  | 1.3385<br><b>34</b> | 0.3543<br><b>9</b>   | 208<br>208-24          | PFL 208        | 0.83    | 1.83 |      |
| 208-25                     | 1-9/16                    |                        |                        |                       |                    |                     |                      |                       |                      |                     |                      | 208-25                 |                |         |      |      |