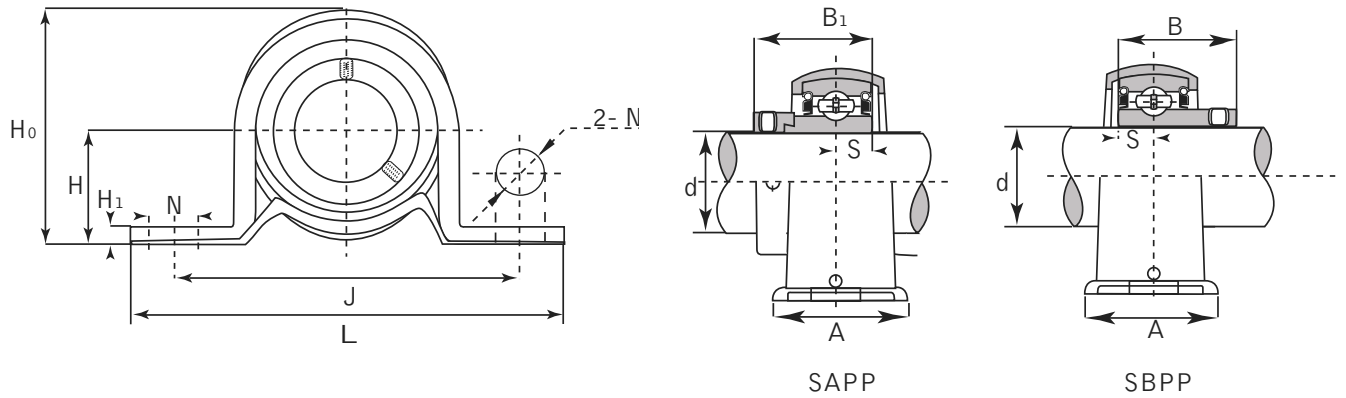


# Pressed Steel Unit

## Light Duty



## SAPP Eccentric Locking Collar

## SBPP Set Screw Locking

Unit No. SAPP SBPP	Shaft Dia. (inch / mm)	Dimensions (inch / mm)							Bolt Size	SAPP		SBPP		Bearing No. SA / SB	Housing No.	Weight	
		d	H	L	J	A	N	H1		H0	B1	S	B			S	kg
201 201-8 202 202-10 203 203-11	12 mm 1/2 15 mm 5/8 17 mm 11/16	7/8 <b>22.2</b>	3-3/8 <b>86</b>	2-43/64 <b>68</b>	63/64 <b>25</b>	3/8 <b>9.5</b>	1/8 <b>3.2</b>	1-23/32 <b>43.8</b>	5/16 M8	1.1259 <b>28.6</b>	0.2559 <b>6.5</b>	0.8661 <b>22</b>	0.2362 <b>6</b>	201 201-8 202 202-10 203 203-11	PP 203	0.19	0.42
204 204-12	20 mm 3/4	1 <b>25.4</b>	3-27/32 <b>98</b>	2-63/64 <b>76</b>	1-1/4 <b>32</b>	3/8 <b>9.5</b>	1/8 <b>3.2</b>	1-63/64 <b>50.5</b>	5/16 M8	1.2204 <b>31</b>	0.2952 <b>7.5</b>	0.9842 <b>25</b>	0.2755 <b>7</b>	204 204-12	PP 204	0.23	0.51
205 205-14 205-15 205-16	25 mm 7/8 15/16 1	1-1/8 <b>28.6</b>	4-1/4 <b>108</b>	3-25/64 <b>86</b>	1-1/4 <b>32</b>	29/64 <b>11.5</b>	5/32 <b>4</b>	2-15/64 <b>56.6</b>	5/16 M8	1.2204 <b>31</b>	0.2952 <b>7.5</b>	1.0629 <b>27</b>	0.2952 <b>7.5</b>	205 205-14 205-15 205-16	PP 205	0.32	0.71
206 206-18 206-19 206-20	30 mm 1-1/8 1-3/16 1-1/4	1-5/16 <b>33.3</b>	4-39/64 <b>117</b>	3-47/64 <b>95</b>	1-1/2 <b>38</b>	29/64 <b>11.5</b>	5/32 <b>4</b>	2-39/64 <b>66.3</b>	5/16 M8	1.4055 <b>35.7</b>	0.3543 <b>9</b>	1.1811 <b>30</b>	0.3149 <b>8</b>	206 206-18 206-19 206-20	PP 206	0.50	1.10
207 207-20 207-21 207-22 207-23	35 mm 1-1/4 1-5/16 1-3/8 1-7/16	1-9/16 <b>39.7</b>	5-5/64 <b>129</b>	4-5/32 <b>106</b>	1-21/32 <b>42</b>	29/64 <b>11.5</b>	3/16 <b>4.6</b>	3-1/8 <b>78</b>	5/16 M8	1.5314 <b>38.9</b>	0.3740 <b>9.5</b>	1.2598 <b>32</b>	0.3346 <b>8.5</b>	207 207-20 207-21 207-22 207-23	PP 207	0.71	1.56