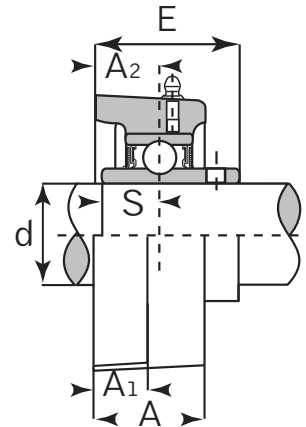
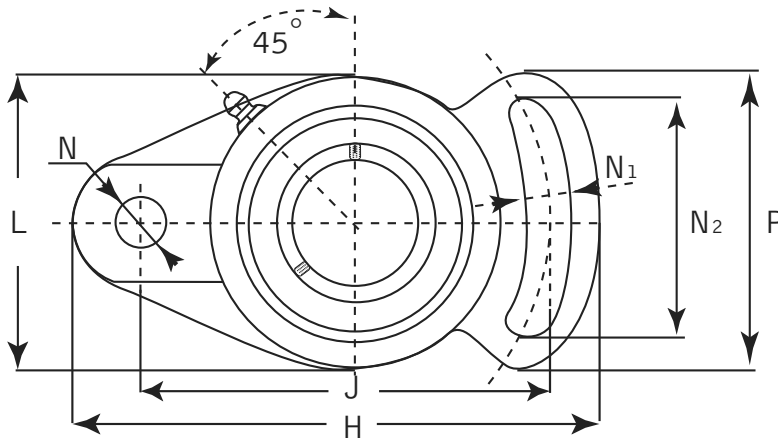


# Adjustable Flange Unit

## Normal Duty



### UCFA Set Screw Locking

Unit No.	Shaft Dia. (inch / mm)	Dimensions (inch / mm)												Bolt Size	Bearing No.	Housing No.	Weight		
		d	H	J	L	P	A	A1	A2	N	N1	N2	E				S	kg	lbs
UCFA 201	12 mm															UC 201 201-8 202 202-10 203 203-11 204 204-12	FA 204	0.50	1.10
201-8	1/2														0.49			1.08	
202	15 mm														0.49			1.08	
202-10	5/8	3-27/32	3-5/64	2-3/8	1-31/32	1	15/32	19/32	25/64	25/64	1-9/16	1.3110	0.500	5/16	M 8			0.49	1.08
203	17 mm	<b>98</b>	<b>78</b>	<b>60</b>	<b>50</b>	<b>25.4</b>	<b>12</b>	<b>15</b>	<b>10</b>	<b>10</b>	<b>40</b>	<b>33.3</b>	<b>12.7</b>					0.48	1.06
203-11	11/16														0.46			1.01	
204	20 mm														0.46			1.01	
204-12	3/4																		
UCFA 205	25 mm														UC 205 205-14 205-15 205-16	FA 205	0.66	1.45	
205-14	7/8	4-7/8	3-55/64	2-3/4	2-9/16	1-1/16	35/64	5/8	33/64	33/64	1-59/64	1.4094	0.5629	3/8				0.69	1.52
205-15	15/16	<b>124</b>	<b>98</b>	<b>70</b>	<b>65</b>	<b>27</b>	<b>14</b>	<b>16</b>	<b>13</b>	<b>13</b>	<b>49</b>	<b>35.8</b>	<b>14.3</b>	M 10				0.67	1.47
205-16	1																	0.66	1.45
UCFA 206	30 mm														UC 206 206-18 206-19 206-20	FA 206	0.93	2.05	
206-18	1-1/8	5-9/16	4-17/32	3-9/32	2-27/32	1-7/32	35/64	45/64	33/64	33/64	2-13/64	1.5826	0.6259	3/8				0.95	2.09
206-19	1-3/16	<b>141</b>	<b>115</b>	<b>83</b>	<b>72</b>	<b>31</b>	<b>14</b>	<b>18</b>	<b>13</b>	<b>13</b>	<b>56</b>	<b>40.2</b>	<b>15.9</b>	M 10				0.93	2.05
206-20	1-1/4																	0.92	2.02
UCFA 207	35 mm														UC 207 207-20 207-21 207-22 207-23	FA 207	1.46	3.21	
207-20	1-1/4	6-3/32	5-3/64	3-25/32	3-7/32	1-11/32	5/8	3/4	19/32	19/32	2-9/16	1.7480	0.6889	7/16				1.52	3.34
207-21	1-5/16	<b>155</b>	<b>128</b>	<b>96</b>	<b>82</b>	<b>34</b>	<b>16</b>	<b>19</b>	<b>15</b>	<b>15</b>	<b>65</b>	<b>44.4</b>	<b>17.5</b>	M 12				1.49	3.28
207-22	1-3/8																	1.46	3.21
207-23	1-7/16																	1.43	3.15
UCFA 208	40 mm														UC 208 208-24 208-25	FA 208	1.78	3.92	
208-24	1-1/2	6-23/32	5-19/32	4-1/8	3-15/32	1-1/2	5/8	53/64	19/32	19/32	2-45/64	2.0157	0.7480	7/16				1.82	4.00
208-25	1-9/16	<b>171</b>	<b>142</b>	<b>105</b>	<b>87</b>	<b>38</b>	<b>16</b>	<b>21</b>	<b>15</b>	<b>15</b>	<b>69</b>	<b>51.2</b>	<b>19</b>	M 12				1.79	3.94
UCFA 209	45 mm														UC 209 209-26 209-27 209-28	FA 209	2.03	4.47	
209-26	1-5/8	7-1/16	5-3/4	4-3/8	3-17/32	1-37/64	45/64	55/64	43/64	43/64	2-3/4	2.0551	0.7480	1/2				2.13	4.69
209-27	1-11/16	<b>179</b>	<b>146</b>	<b>111</b>	<b>90</b>	<b>40</b>	<b>18</b>	<b>22</b>	<b>17</b>	<b>17</b>	<b>70</b>	<b>52</b>	<b>19</b>	M 14				2.09	4.60
209-28	1-3/4																	2.05	4.51
UCFA 210	50 mm														UC 210 210-30 210-31 210-32	FA 210	2.23	4.91	
210-30	1-7/8	7-7/16	6-7/64	4-9/16	3-1/16	1-37/64	45/64	55/64	43/64	43/64	2-61/64	2.1496	0.7480	1/2				2.30	5.06
210-31	1-15/16	<b>189</b>	<b>155</b>	<b>116</b>	<b>94</b>	<b>40</b>	<b>18</b>	<b>22</b>	<b>17</b>	<b>17</b>	<b>75</b>	<b>54.6</b>	<b>19</b>	M 14				2.25	4.95
210-32	2																	2.21	4.86