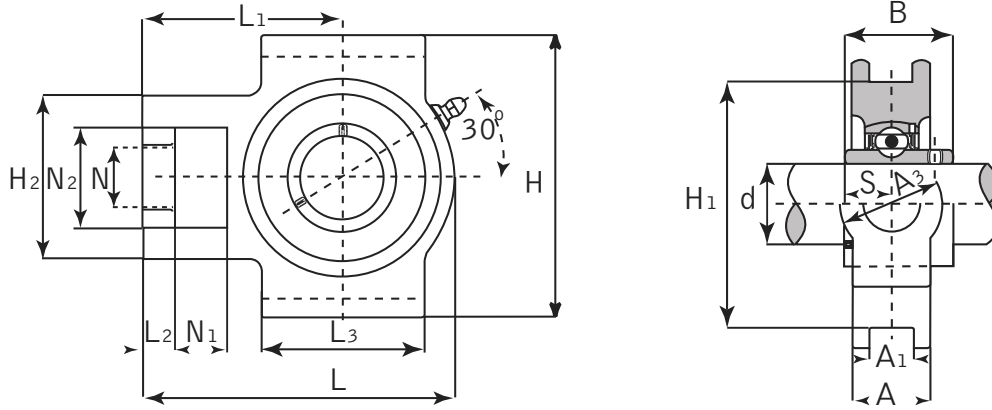




Take Up Unit

Normal Duty - Wide Slot



UCST Set Screw Locking

Unit No.	Shaft Dia. (inch / mm)	Dimensions (inch / mm)															Bearing No.	Housing No.	Weight		
		d	N	N1	N2	L	L1	L2	L3	H	H1	H2	A	A1	A3	B			S	kg	lbs
UCST 201	12 mm																	UC 201	ST 204	0.80	1.76
201-8	1/2																201-8	0.79		1.74	
202	15 mm																202	0.79		1.74	
202-10	5/8	3/4	5/8	1-1/4	3-11/16	2-3/8	25/64	2-1/64	3-1/2	3	1-1/64	15/16	17/32	1-1/4	1.2204	0.500	202-10	0.79		1.74	
203	17 mm	19	16	32	94	60.3	10	51	89	76.2	51	24	13.5	32	31	12.7	203	0.78		1.72	
203-11	11/16																203-11	0.77		1.69	
204	20 mm																204	0.76		1.67	
204-12	3/4																204-12	0.76	1.67		
UCST 205	25 mm																UC 205	ST 205	0.81	1.78	
205-14	7/8	3/4	5/8	1-1/4	3-13/16	2-7/16	25/64	2-1/64	3-1/2	3	1-1/64	15/16	17/32	1-1/4	1.3425	0.5629	205-14		0.84	1.85	
205-15	15/16	19	16	32	97	62	10	51	89	76.2	51	24	13.5	32	34.1	14.3	205-15		0.82	1.80	
205-16	1																205-16		0.81	1.78	
UCST 206	30 mm																UC 206	ST 206	1.22	2.68	
206-18	1-1/8	55/64	5/8	1-7/16	4-7/16	2-3/4	25/64	2-1/4	4-1/32	3-1/2	2-7/32	15/16	17/32	1-7/16	1.5590	0.6259	206-18		1.24	2.73	
206-19	1-3/16	22	16	36.5	113	70	10	57	102	89	56	24	13.5	36.5	38.1	15.9	206-19		1.22	2.68	
206-20	1-1/4																206-20		1.21	2.66	
UCST 207	35 mm																UC 207	ST 207	1.44	3.17	
207-20	1-1/4	55/64	5/8	1-7/16	5-3/32	3-1/16	1/2	2-1/2	4-1/32	3-1/2	2-1/2	1-3/16	17/32	1-7/16	1.6889	0.6889	207-20		1.50	3.30	
207-21	1-5/16	22	16	36.5	129	78	13	63.5	102	89	64	30	13.5	36.5	42.9	17.5	207-21		1.46	3.21	
207-22	1-3/8																207-22		1.44	3.17	
207-23	1-7/16																207-23		1.41	3.10	
UCST 208	40 mm																UC 208	ST 208	2.40	5.28	
208-24	1-1/2	1-7/64	3/4	1-15/16	5-21/32	3-1/2	5/8	3-1/4	4-1/2	4-1/64	3-1/4	1-3/8	11/16	1-15/16	1.9370	0.7480	208-24		2.44	5.37	
208-25	1-9/16	28	19	49	144	89	16	82.5	114.3	102	83	35	17.5	49	49.2	19.0	208-25		2.41	5.30	
UCST 209	45 mm																UC 209	ST 209	2.36	5.19	
209-26	1-5/8	1-7/64	3/4	1-15/16	5-21/32	3-7/16	5/8	3-1/4	4-19/32	4-1/64	3-1/4	1-3/8	11/16	1-15/16	1.9370	0.7480	209-26		2.46	5.41	
209-27	1-11/16	28	19	49	144	87	16	82.5	117	102	83	35	17.5	49	49.2	19.0	209-27		2.42	5.32	
209-28	1-3/4																209-28		2.38	5.24	
UCST 210	50 mm																UC 210	ST 210	2.43	5.35	
210-30	1-7/8	1-7/64	3/4	1-15/16	5-7/8	3-17/32	5/8	3-3/8	4-19/32	4-1/64	3-1/4	1-3/8	11/16	1-15/16	2.0314	0.7480	210-30		2.50	5.50	
210-31	1-15/16	28	19	49	149	90	16	85.7	117	102	83	35	17.5	49	51.6	19.0	210-31		2.45	5.39	
210-32	2																210-32		2.41	5.30	
UCST 211	55 mm																UC 211	ST 211	4.11	9.04	
211-32	2	1-3/8	1	2-1/2	6-23/32	4-3/16	3/4	3-3/4	5-3/4	5-1/8	4-1/32	1-5/8	1-1/16	2-1/2	2.1889	0.8740	211-32		4.26	9.37	
211-34	2-1/8	35	25.4	63.5	171	106	19	95	146	130	102	41	27	63.5	55.6	22.2	211-34		4.15	9.13	
211-35	2-3/16																211-35		4.09	9.00	
UCST 212	60 mm																UC 212	ST 212	4.97	10.93	
212-36	2-1/4	1-3/8	1-1/4	2-1/2	7-5/8	4-11/16	3/4	4-1/64	5-3/4	5-1/8	4-1/32	1-13/16	1-1/16	2-1/2	2.5629	1.000	212-36		5.10	11.22	
212-38	2-3/8	35	32	63.5	194	119	19	102	146	130	102	46	27	63.5	65.1	25.4	212-38		4.95	10.89	
212-39	2-7/16																212-39		4.88	10.74	