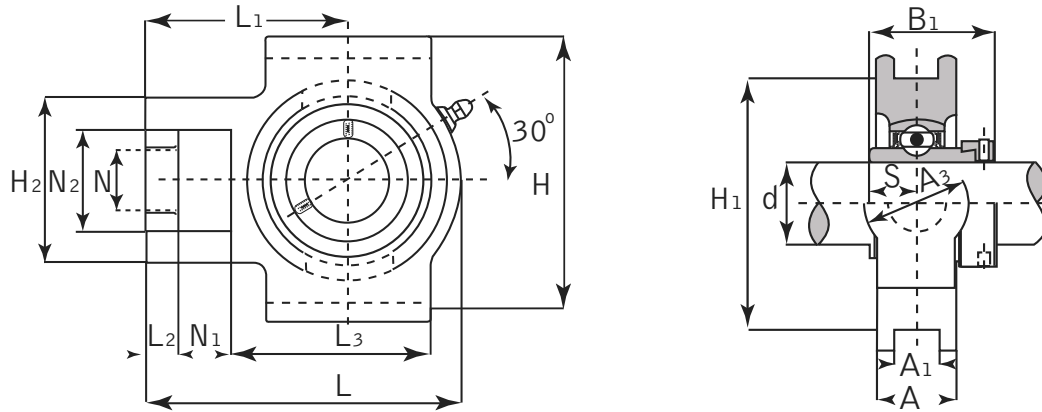


# Take Up Unit

## Normal Duty - Wide Slot



### HCST Eccentric Locking Collar

Unit No.	Shaft Dia. (inch / mm)	Dimensions (inch / mm)															Bearing No.	Housing No.	Weight		
		d	N	N1	N2	L	L1	L2	L3	H	H1	H2	A	A1	A3	B1			S	kg	lbs
		HCST 201 201-8 202 202-9 202-10 203 203-11 204 204-12	12 mm 1/2 15 mm 9/16 5/8 17 mm 11/16 20 mm 3/4	3/4 19	5/8 16	1-1/4 32	3-11/16 94	2-3/8 60.3	13/32 10	2 51	3-1/2 89	3 76.2	2 51	15/16 24	17/32 13.5	1-1/4 32			1.7125 43.5	0.6732 17.1	HC 201 201-8 202 202-9 202-10 203 203-11 204 204-12
HCST 205 205-14 205-15 205-16	25 mm 7/8 15/16 1	3/4 19	5/8 16	1-1/4 32	3-13/16 97	2-7/16 62	13/32 10	2 51	3-1/2 89	3 76.2	2 51	15/16 24	17/32 13.5	1-1/4 32	1.7440 44.3	0.6889 17.5	HC 205 205-14 205-15 205-16	ST 205	0.88	1.94	
HCST 206 206-18 206-19 206-20	30 mm 1-1/8 1-3/16 1-1/4	55/64 22	5/8 16	1-7/16 36.5	4-7/16 113	2-3/4 70	13/32 10	2 57	4-1/64 102	3-1/2 89	2-7/32 56	15/16 24	17/32 13.5	1-7/16 36.5	1.9015 48.3	0.7204 18.3	HC 206 206-18 206-19 206-20	ST 206	1.30	2.86	
HCST 207 207-20 207-21 207-22 207-23	35 mm 1-1/4 1-5/16 1-3/8 1-7/16	55/64 22	5/8 16	1-7/16 36.5	5-3/32 129	3-5/64 78	1/2 13	2-1/2 63.5	4-1/64 102	3-1/2 89	2-17/32 64	1-3/16 30	17/32 13.5	1-7/16 36.5	2.0118 51.1	0.7401 18.8	HC 207 207-20 207-21 207-22 207-23	ST 207	1.70	3.74	
HCST 208 208-24 208-25	40 mm 1-1/2 1-9/16	1-7/64 28	3/4 19	1-15/16 49	5-21/32 144	3-1/2 89	5/8 16	3-1/4 82.5	4-1/2 114.3	4-1/64 102	3-9/32 83	1-3/8 35	11/16 17.5	1-15/16 49	2.2165 56.3	0.8425 21.4	HC 208 208-24 208-25	ST 208	2.50	5.50	
HCST 209 209-26 209-27 209-28	45 mm 1-5/8 1-11/16 1-3/4	1-7/64 28	3/4 19	1-15/16 49	5-21/32 144	3-7/16 87	5/8 16	3-1/4 82.5	4-39/64 117	4-1/64 102	3-9/32 83	1-3/8 35	11/16 17.5	1-15/16 49	2.2165 56.3	0.8425 21.4	HC 209 209-26 209-27 209-28	ST 209	2.50	5.50	
HCST 210 210-30 210-31 210-32	50 mm 1-7/8 1-15/16 2	1-7/64 28	3/4 19	1-15/16 49	5-7/8 149	3-35/64 90	5/8 16	3-3/8 85.7	4-39/64 117	4-1/64 102	3-9/32 83	1-3/8 35	11/16 17.5	1-15/16 49	2.4685 62.7	0.9685 24.6	HC 210 210-30 210-31 210-32	ST 210	2.60	5.72	
HCST 211 211-32 211-34 211-35	55 mm 2 2-1/8 2-3/16	1-3/8 35	1 25.4	2-1/2 63.5	6-23/32 171	4-11/64 106	3/4 19	3-3/4 95	5-3/4 146	5-1/8 130	4-1/32 102	1-5/8 41	1-1/16 27	2-1/2 63.5	2.8070 71.3	1.0944 27.8	HC 211 211-32 211-34 211-35	ST 211	4.00	8.80	
HCST 212 212-36 212-38 212-39	60 mm 2-1/4 2-3/8 2-7/16	1-3/8 35	1-1/4 32	2-1/2 63.5	7-5/8 194	4-11/16 119	3/4 19	4-1/32 102	5-3/4 146	5-1/8 130	4-1/32 102	1-13/16 46	1-1/16 27	2-1/2 63.5	3.0590 77.7	1.2204 31	HC 212 212-36 212-38 212-39	ST 212	4.90	10.78	