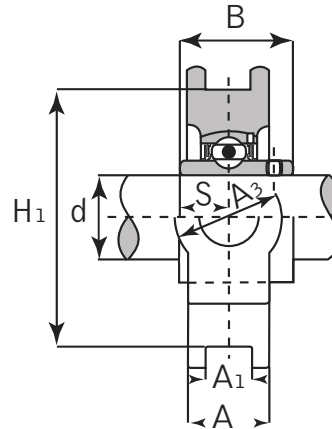
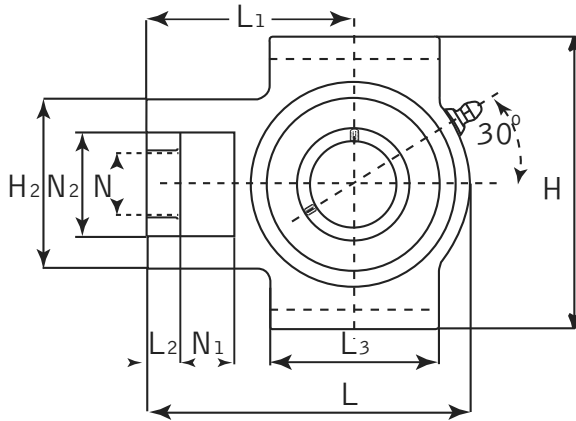




Take Up Unit

Normal Duty

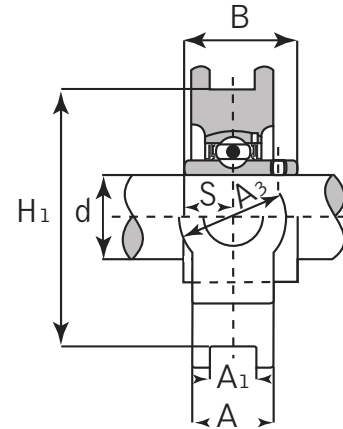
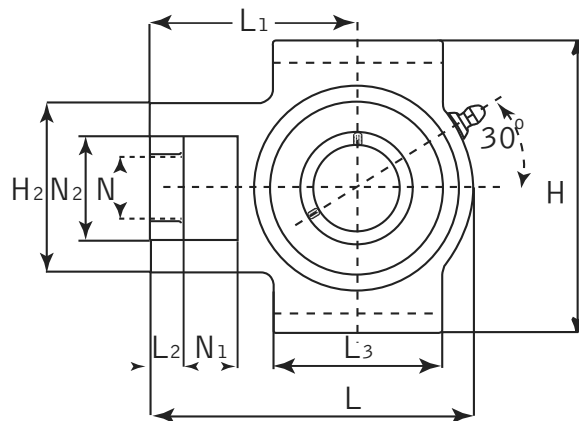


UCT Set Screw Locking

Unit No.	Shaft Dia. (inch / mm)	Dimensions (inch / mm)															Bearing No.	Housing No.	Weight			
		d	N	N1	N2	L	L1	L2	L3	H	H1	H2	A	A1	A3	B			S	kg	lbs	
UCT 201	12 mm																		UC 201		0.80	1.76
201-8	1/2																		201-8		0.79	1.74
202	15 mm																		202	T 204	0.79	1.74
202-10	5/8	3/4	5/8	1-1/4	3-11/16	2-13/32	25/64	2-1/64	3-1/2	2-63/64	1-1/64	13/16	15/32	1-1/4	1.2205	0.500		202-10		0.79	1.74	
203	17 mm	19	16	32	94	61	10	51	89	76	51	21	12	32	31	12.7		203		0.78	1.72	
203-11	11/16																	203-11		0.77	1.69	
204	20 mm																		204		0.76	1.67
204-12	3/4																		204-12		0.76	1.67
UCT 205	25 mm																		UC 205		0.81	1.78
205-14	7/8	3/4	5/8	1-1/4	3-13/16	2-7/16	25/64	2-1/64	3-1/2	2-63/64	1-1/64	15/16	15/32	1-1/4	1.3425	0.5629		205-14	T 205	0.84	1.85	
205-15	15/16	19	16	32	97	62	10	51	89	76	51	14	12	32	34.1	14.3		205-15		0.82	1.80	
205-16	1																		205-16		0.81	1.78
UCT 206	30 mm																		UC 206		1.22	2.68
206-18	1-1/8	55/64	5/8	1-29/64	4-7/16	2-3/4	25/64	2-1/4	4-1/64	3-1/2	2-7/32	1-3/32	15/32	1-29/64	1.500	0.6259		206-18	T 206	1.24	2.73	
206-19	1-3/16	22	16	37	113	70	10	57	102	89	56	28	12	37	38.1	15.9		206-19		1.22	2.68	
206-20	1-1/4																		206-20		1.21	2.66
UCT 207	35 mm																		UC 207		1.44	3.17
207-20	1-1/4	55/64	5/8	1-29/64	5-3/32	3-5/64	33/64	2-33/64	4-1/64	3-1/2	w2-33/64	1-3/16	15/32	1-29/64	1.6890	0.6889		207-20	T 207	1.50	3.30	
207-21	1-5/16	22	16	37	129	78	13	64	102	89	64	30	12	37	42.9	17.5		207-21		1.46	3.21	
207-22	1-3/8																		207-22		1.44	3.17
207-23	1-7/16																		207-23		1.41	3.10
UCT 208	40 mm																		UC 208		2.40	5.28
208-24	1-1/2	1-9/64	3/4	1-15/16	5-21/32	3-1/2	5/8	3-17/64	4-1/2	4-1/64	3-17/64	1-5/16	5/8	1-15/16	1.9370	0.7480		208-24	T 208	2.44	5.37	
208-25	1-9/16	29	19	49	144	89	16	83	114	102	83	33	16	49	49.2	19		208-25		2.41	5.30	
UCT 209	45 mm																		UC 209		2.36	5.19
209-26	1-5/8	1-9/64	3/4	1-15/16	5-21/32	3-27/64	5/8	3-17/64	4-19/32	4-1/64	3-17/64	1-3/8	5/8	1-15/16	1.9370	0.7480		209-26	T 209	2.46	5.41	
209-27	1-11/16	29	19	49	144	87	16	83	117	102	83	35	16	49	49.2	19		209-27		2.42	5.32	
209-28	1-3/4																		209-28		2.38	5.24

Take Up Unit

Normal Duty - Narrow Slot



UCT Set Screw Locking

Unit No.	Shaft Dia. (inch / mm)	Dimensions (inch / mm)															Bearing No.	Housing No.	Weight		
		d	N	N1	N2	L	L1	L2	L3	H	H1	H2	A	A1	A3	B			S	kg	lbs
UCT 210	50 mm																	UC 210		2.43	5.35
210-30	1-7/8	1-9/64	3/4	1-15/16	5-7/8	3-35/64	5/8	3-17/64	4-19/32	4-1/64	3-17/64	1-15/32	5/8	1-15/16	2.0315	0.7480	210-30	T 210	2.50	5.50	
210-31	1-15/16	29	19	49	149	90	16	86	117	102	83	37	16	49	51.6	19	210-31		2.45	5.39	
210-32	2																210-32		2.41	5.30	
UCT 211	55 mm																UC 211		4.11	9.04	
211-32	2	1-3/8	63/64	2-1/32	6-23/32	4-11/64	3/4	3-3/4	5-3/4	5-1/8	4-1/64	1-1/2	55/64	2-33/64	2.1890	0.8740	211-32	T 211	4.26	9.37	
211-34	2-1/8	35	25	64	171	106	19	95	146	130	102	38	22	64	55.6	22.2	211-34		4.15	9.13	
211-35	2-3/16																211-35		4.09	9.00	
UCT 212	60 mm																UC 212		4.97	10.93	
212-36	2-1/4	1-3/8	1-17/64	2-1/32	7-5/8	4-11/16	3/4	4-1/64	5-3/4	5-1/8	4-1/64	1-21/32	55/64	2-33/64	2.5236	1.000	212-36	T 212	5.10	11.22	
212-38	2-3/8	35	32	64	194	119	19	102	146	130	102	42	22	64	64.1	25.4	212-38		4.95	10.89	
212-39	2-7/16																212-39		4.88	10.74	
UCT 213	65 mm																UC 213		6.65	14.63	
213-40	2-1/2	1-17/64	1-17/64	2-3/4	8-13/16	5-25/64	53/64	4-3/4	6-9/16	5-15/16	4-3/8	1-23/32	1-1/32	2-3/4	2.5630	1.000	213-40	T 213	6.74	14.83	
UCT 214	70 mm																UC 214		7.05	15.51	
214-43	2-11/16	1-39/64	1-17/64	2-3/4	8-13/16	5-25/64	53/64	4-3/4	6-9/16	5-15/16	4-3/8	1-13/16	1-1/32	2-3/4	2.9370	1.1889	214-43	T 214	7.26	15.97	
214-44	2-3/4	41	32	70	224	137	21	121	167	151	111	46	26	70	74.6	30.2	214-44		7.06	15.53	
UCT 215	75 mm																UC 215		7.41	16.30	
215-47	2-15/16	1-39/64	1-17/64	2-3/4	9-1/8	5-33/64	53/64	4-3/4	6-9/16	5-15/16	4-3/8	1-57/64	1-1/32	2-3/4	3.0630	1.3110	215-47	T 215	7.44	16.37	
215-48	3	41	32	70	232	140	21	121	167	151	111	48	26	70	77.8	33.3	215-48		7.32	16.10	
UCT 216	80 mm																UC 216		8.30	18.26	
216-50	3-1/8	1-39/64	1-17/64	2-3/4	9-1/4	5-33/64	53/64	4-3/4	7-1/4	6-1/2	4-3/8	2	1-1/32	2-3/4	3.2520	1.3110	216-50	T 216	8.35	18.37	
UCT 217	85 mm																UC 217		11.00	24.20	
217-52	3-1/4	1-57/64	1-1/2	2-7/8	10-1/4	6-3/8	1-9/64	6-3/16	7-25/32	6-13/16	4-7/8	2-1/8	1-3/16	2-7/8	3.3740	1.3425	217-52	T 217	11.22	24.68	
217-55	3-7/16	48	38	73	260	162	29	157	198	173	124	54	30	73	85.7	34.1	217-55		10.80	23.76	