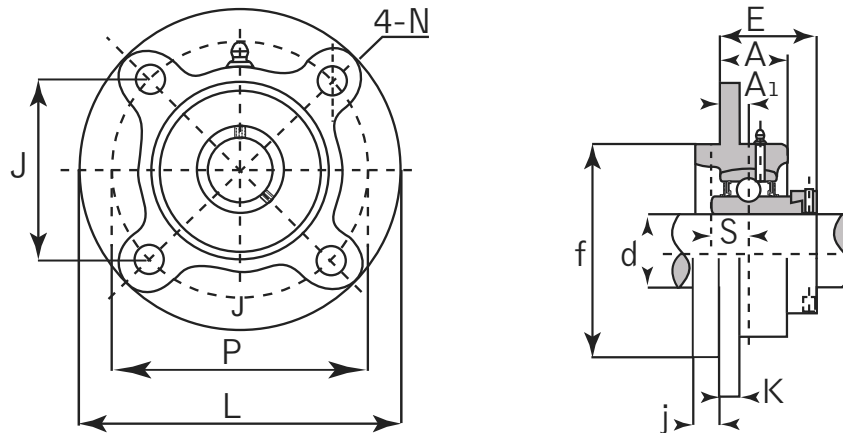




Round Flange Cartridge Unit

Normal Duty

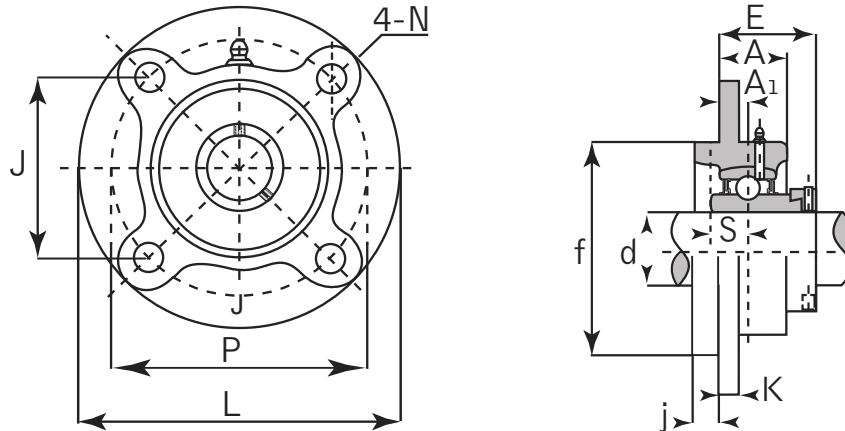


HCFC Eccentric Locking Collar

Unit No.	Shaft Dia. (inch / mm)	Dimensions (inch / mm)											Bolt Size (inch / mm)	Bearing No.	Housing No.	Weight			
		d	L	P	J	j	A	A1	N	K	f	E				S	kg	lbs	
HCFC 201	12 mm																	0.73	1.61
201-8	1/2																	0.72	1.58
202	15 mm																	0.82	1.80
202-10	5/8	3-15/16	3-5/64	2-11/64	13/64	13/16	25/64	15/32	15/64	2.4409	1.437	0.500	3/8				0.72	1.58	
203	17 mm	100	78	55.1	5	20.5	10	12	6	62	36.5	17	M10				0.71	1.56	
203-11	11/16																0.70	1.54	
203	20 mm																0.76	1.67	
204-12	3/4																0.76	1.67	
HCFC 205	25 mm																	1.07	2.35
205-14	7/8	4-17/32	3-35/64	2-1/2	15/64	13/16	25/64	15/32	9/32	2.7559	1.453	0.6889	3/8				1.11	2.44	
205-15	15/16	115	90	63.6	6	21	10	12	7	70	36.9	17.5	M10				1.09	2.40	
205-16	1																1.07	2.35	
HCFC 206	30 mm																	1.43	3.15
206-18	1-1/8	4-29/32	3-15/16	2-25/32	5/16	29/32	25/64	15/32	5/16	3.1496	1.579	0.7204	3/8				1.45	3.19	
206-19	1-3/16	125	100	70.7	8	23	10	12	8	80	40.1	18.3	M10				1.43	3.15	
206-20	1-1/4																1.40	3.08	
HCFC 207	35 mm																	1.93	4.25
207-20	1-1/4																	2.00	4.40
207-21	1-5/16	5-5/16	4-21/64	3-1/16	5/16	1-1/32	7/16	35/64	23/64	3.5433	1.705	0.7401	7/16				1.93	4.25	
207-22	1-3/8	135	110	77.8	8	26	11	14	9	90	43.3	18.8	M12				1.93	4.25	
207-23	1-7/16																1.87	4.11	
HCFC 208	40 mm																	2.29	5.04
208-24	1-1/2	5-23/32	4-23/32	3-11/32	25/64	1-1/32	7/16	35/64	23/64	3.9370	1.807	0.8425	7/16				2.34	5.15	
208-25	1-9/16	145	120	84.8	10	26	11	14	9	100	45.9	21.4	M12				2.30	5.06	
HCFC 209	45 mm																	2.85	6.27
209-26	1-5/8	6-5/16	5-13/64	3-43/64	15/32	1-1/32	25/64	5/8	25/64	4.1339	1.768	0.8425	1/2				2.96	6.51	
209-27	1-11/16	160	132	93.3	12	26	10	16	14	105	44.9	21.4	M14				2.91	6.40	
209-28	1-3/4																2.87	6.31	

Round Flange Cartridge Unit

Normal Duty



HCFC Eccentric Locking Collar

Unit No.	Shaft Dia. (inch / mm)	Dimensions (inch / mm)											Bolt Size (inch / mm)	Bearing No.	Housing No.	Weight	
		d	L	P	J	j	A	A1	N	K	f	E				S	kg
HCFC 210 210-30 210-31 210-32	50 mm 1-7/8 1-15/16 2	6-1/2 165	5-7/16 138	3-27/32 97.6	15/32 12	1-3/32 28	25/64 10	5/8 16	35/64 14	4.3307 110	1.894 48.1	0.9685 24.6	1/2 M14	HC 210 210-30 210-31 210-32	FC 210	3.09 3.18 3.12 3.06	6.80 7.00 6.86 6.73
HCFC 211 211-32 211-34 211-35	55 mm 2 2-1/8 2-3/16	7-9/32 185	5-29/32 150	4-3/16 106.1	15/32 12	1-3/16 30	33/64 13	3/4 19	35/64 14	4.9213 125	2.228 56.6	1.0944 27.8	5/8 M16	HC 211 211-32 211-34 211-35	FC 211	4.22 4.42 4.27 4.19	9.28 9.72 9.39 9.22
HCFC 212 212-36 212-38 212-39	60 mm 2-1/4 2-3/8 2-7/16	7-11/16 195	6-19/64 160	4-29/64 113.1	15/32 12	1-13/32 36	43/64 17	3/4 19	19/32 15	5.3150 135	2.512 63.8	1.2204 31	5/8 M16	HC 212 212-36 212-38 212-39	FC 212	5.28 5.44 5.30 5.17	11.62 11.97 11.66 11.37
HCFC 213 213-40	65 mm 2-1/2	8-1/16 205	6-11/16 170	4-47/64 120.2	35/64 14	1-3/8 35	5/8 16	3/4 19	19/32 15	5.709 145	2.661 67.6	1.3425 34.1	5/8 M16	HC 213 213-40	FC 213	6.21 6.31	13.66 13.88
HCFC 214 214-43 214-44	70 mm 2-11/16 2-3/4	8-15/32 215	6-31/32 177	4-59/64 125.1	35/64 14	1-1/2 38	43/64 17	3/4 19	5/8 16	5.9055 150	2.701 68.6	1.3425 34.1	5/8 M16	HC 214 214-43 214-44	FC 214	7.45 7.69 7.46	16.39 16.92 16.41
HCFC 215 215-47 215-48	75 mm 2-15/16 3	8-21/32 220	7-1/4 184	5-1/8 130.1	5/8 16	1-17/32 39	23/32 18	3/4 19	43/64 17	6.2992 160	2.866 72.8	1.4685 37.3	5/8 M16	HC 215 215-47 215-48	FC 215	7.56 7.59 7.47	16.63 16.70 16.43
HCFC 216 216-50	80 mm 3-1/8	9-7/16 240	7-7/8 200	5-9/16 141.4	5/8 16	1-21/32 42	23/32 18	29/32 23	23/32 18	6-11/16 170	2.988 75.9	1.3110 33.3	3/4 M20	HC 216 216-50	FC 216	9.15 9.20	20.13 20.24
HCFC 217 217-52 217-55	85 mm 3-1/4 3-7/16	9-27/32 250	8-3/16 208	5-51/64 147.1	23/32 18	1-25/32 45	23/32 18	29/32 23	25/32 20	7-3/32 180	2.669 67.8	1.3425 34.1	3/4 M20	HC 217 217-52 217-55	FC 217	10.81 11.03 10.89	23.78 24.27 23.96
HCFC 218 218-56	90 mm 3-1/2	10-7/16 265	8-21/32 220	6-1/8 155.5	23/32 18	1-31/32 50	55/64 22	29/32 23	25/32 20	7-31/64 190	2.756 70	1.3440 39.7	3/4 M20	HC 218 218-56	FC 218	12.96 13.07	28.51 28.75