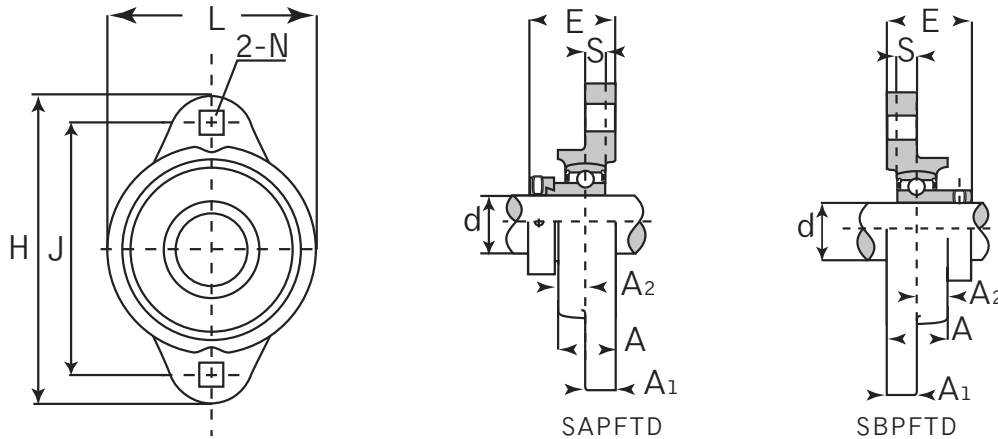


Malleable Ductile Flange Unit

Light Duty



SAPFTD Eccentric Locking Collar SBPFTD Set Screw Locking

Unit No. SAPFTD SBPFTD	Shaft Dia. (inch / mm)	Dimensions (inch / mm)								SAPFTD		SBPFTD		Bolt Size	Bearing No. SA / SB	Housing No.	Weight	
		d	H	J	L	A	A1	A2	N	S	E	S	E				kg	lbs
201 201-8 202 202-10 203 203-11	12 mm 1/2 15 mm 5/8 17 mm 11/16	3-3/16 81	2-1/2 63.5	2-7/32 56	23/32 18	3/8 9.5	3/8 9.5	11/32 8.7	0.2559 6.5	1.2440 31.6	0.2362 6	1.2244 31.1	1/4 M 6	201 201-8 202 202-10 203 203-11	PFTD 203	0.30	0.66	
204 204-12	20 mm 3/4	3-17/32 90	2-13/16 71.5	2-13/32 61	25/32 20	7/16 11	7/16 11	11/32 8.7	0.2952 7.5	1.3582 34.5	0.2755 7	1.3228 33.6	5/16 M 8	204 204-12	PFTD 204	0.40	0.88	
205 205-14 205-15 205-16	25 mm 7/8 15/16 1	3-3/4 95	3.000 76	2-17/32 64	25/32 20	7/16 11	7/16 11	11/32 8.7	0.2952 7.5	1.3582 34.5	0.2952 7.5	1.3228 33.6	5/16 M 8	205 205-14 205-15 205-16	PFTD 205	0.50	1.0	
206 206-18 206-19 206-20	30 mm 1-1/8 1-3/16 1-1/4	4-7/16 113	3-9/16 90.5	3 76	7/8 22.5	15/32 12	15/32 12	13/32 10.3	0.3543 9	1.5236 38.7	0.3149 8	1.5039 38.2	3/8 M 10	206 206-18 206-19 206-20	PFTD 206	0.70	1.54	
207 207-20 207-21 207-22 207-23	35 mm 1-1/4 1-5/16 1-3/8 1-7/16	4-13/16 122	3-15/16 100	3-1/2 89	15/16 24	1/2 13	1/2 13	13/32 10.3	0.3740 9.5	1.6692 42.4	0.3346 8.5	1.6181 41.2	3/8 M 10	207 207-20 207-21 207-22 207-23	PFTD 207	0.90	1.98	

Add (G) suffix for regreasable. (ex. SAPFTD 205-16G)