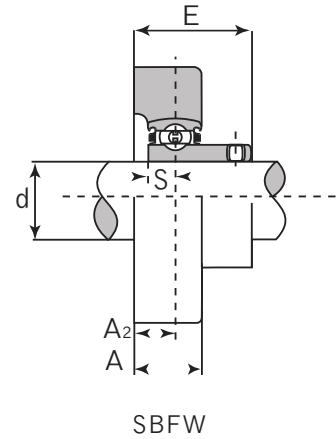
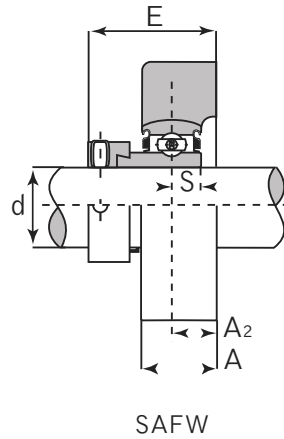
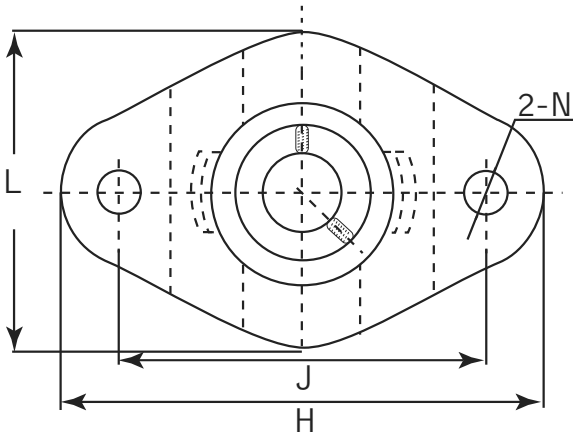




Two-Bolt Holes Flange Unit

Light Duty



SAFW Eccentric Locking Collar SBFW Set Screw Locking

Unit No. SAFW SBFW	Shaft Dia. (inch / mm)	Dimensions (inch / mm)						SAFW		SBFW		Bolt Size	Bearing No. SA / SB	Housing No.	Weight	
		d	H	J	L	A	A2	N	S	E	S				E	kg
201 201-8 202 202-10 203 203-11	12 mm 1/2 15 mm 5/8 17 mm 1 1/16	3-3/16 81	2-1/2 63.5	2-5/16 58.7	19/32 15	11/32 8.5	9/32 7	0.2559 6.5	1.2047 30.6	0.2362 6	0.9645 24.5	1/2 M6	201 201-8 202 202-10 203 203-11	FW 203	0.30	0.66
204 204-12	20 mm 3/4	3-9/16 90.5	2-13/16 71.4	2-5/8 66.5	5/16 17	3/8 9.5	11/32 9	0.2952 7.5	1.2992 33	0.2755 7	1.0826 27.5	5/16 M8	204 204-12	FW 204	0.40	0.88
205 205-14 205-15 205-16	25 mm 7/8 15/16 1	3-13/16 97	3 76.2	2-25/32 71	11/16 17.5	3/8 9.5	11/32 9	0.2952 7.5	1.2992 33	0.2952 7.5	1.1417 29	5/16 M8	205 205-14 205-15 205-16	FW 205	0.50	1.10
206 206-18 206-19 206-20	30 mm 1-1/8 1-3/16 1-1/4	4-7/16 112.5	3-9/16 90.5	3-5/16 84	3/8 20.5	7/16 11.5	13/16 11.5	0.3543 9	1.5039 38.2	0.3149 8	1.3188 33.5	3/8 M10	206 206-18 206-19 206-20	FW 206	0.80	1.76
207 207-20 207-21 207-22 207-23	35 mm 1-1/4 1-5/16 1-3/8 1-7/16	4-31/32 126	3-15/16 100	3-11/16 94	7/8 22	1/2 12.5	13/16 11.5	0.3740 9.5	1.6496 41.9	0.3346 8.5	1.4173 36	3/8 M10	207 207-20 207-21 207-22 207-23	FW 207	1.00	2.20
208 208-24 208-25	40 mm 1-1/2 1-9/16	5-29/32 150	4-11/16 119	3-15/16 100	15/16 24	9/16 14.5	9/16 14	0.4330 11	1.8582 47.2	0.3543 9	1.5551 39.5	1/2 M12	208 208-24 208-25	FW 208	1.4	3.08

The filling slots on these units are at the back of the housing.
Add (G) suffix for regreasable. (ex. SAFW 205-16G)