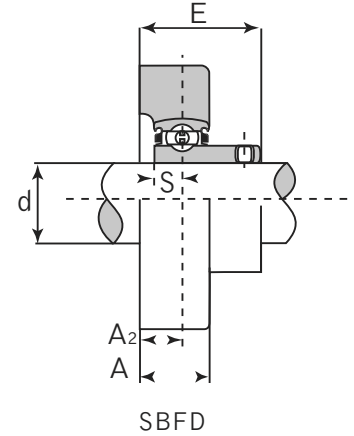
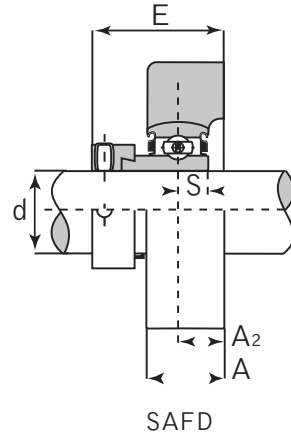
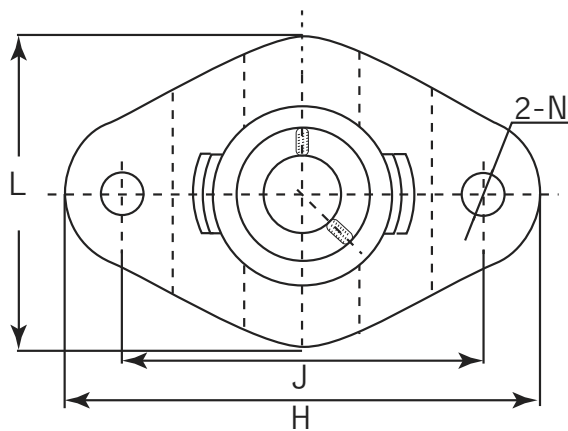


Two-Bolt Holes Flange Unit

Light Duty



SAFD Eccentric Locking Collar SBFD Set Screw Locking

Unit No. SAFD SBFD	Shaft Dia. (inch / mm)	Dimensions (inch / mm)						SAFD		SBFD		Bolt Size	Bearing No. SA / SB	Housing No.	Weight		
		d	H	J	A	A2	N	L	S	E	S				E	kg	lbs
201 201-8 202 202-10 203 203-11	12 mm 1/2 15 mm 5/8 17 mm 11/16																
		3-3/16	2-15/32	19/32	11/32	9/32	2-5/16	0.2559	1.2047	0.2362	0.945	1/4 M6	201 201-8 202 202-10 203 203-11	FD 203	0.30	0.66	
204 204-12	20 mm 3/4	3-17/32	2-25/32	21/32	3/8	13/32	2-5/8	0.2952	1.2992	0.2755	1.083	5/16 M8	204 204-12	FD 204	0.50	1.10	
205 205-14 205-15 205-16	25 mm 7/8 15/16 1	3-3/4	2-63/64	21/32	3/8	13/32	2-25/32	0.2952	1.2992	0.2952	1.142	5/16 M8	205 205-14 205-15 205-16	FD 205	0.50	1.10	
206 206-18 206-19 206-20	30 mm 1-1/8 1-3/16 1-1/4	4-7/16	3-17/32	13/16	15/32	15/32	3-5/16	0.3543	1.5236	0.3149	1.339	3/8 M10	206 206-18 206-19 206-20	FD 206	0.80	1.76	
207 207-20 207-21 207-22 207-23	35 mm 1-1/4 1-5/16 1-3/8 1-7/16	4-29/32	3-15/16	7/8	1/2	15/32	3-11/16	0.3740	1.6496	0.3346	1.417	3/8 M10	207 207-20 207-21 207-22 207-23	FD 207	1.00	2.20	

The filling slots on these units are at the front. The inserts can be greased only when reversed.
Add (G)suffix for regreasable. (ex. SAFD 205-16G)