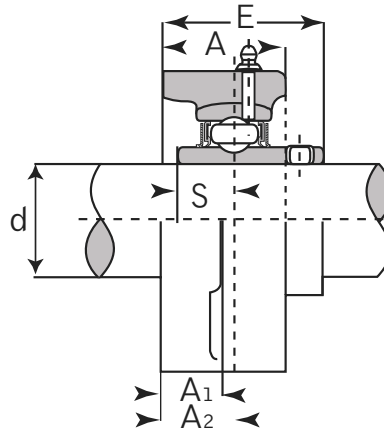
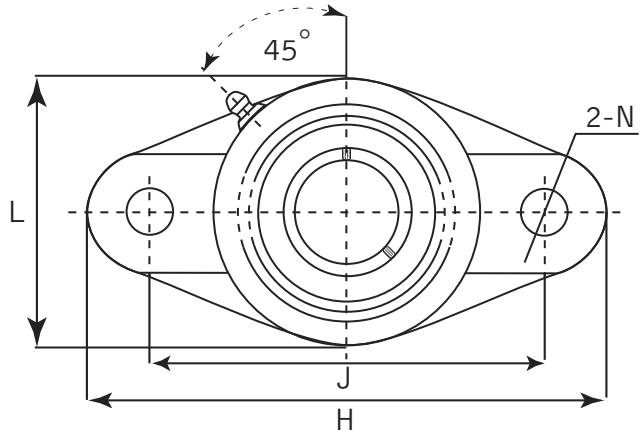




Two-Bolt Holes Flange Unit

Normal Duty



UCFT Set Screw Locking

Unit No.	Shaft Dia. (inch / mm)	Dimensions (inch / mm)									Bolt Size	Bearing No.	Housing No.	Mass	
		d	H	J	A	A1	A2	N	L	E				S	kg
UCFT 201 201-8 202 202-10 203 203-11 204 204-12	12 mm 1/2 15 mm 5/8 17 mm 11/16 20 mm 3/4	4-13/32 112	3-17/32 89.5	1-9/64 29	7/16 11	3/4 19	13/32 10.3	2-3/8 60.3	1-5/16 33.3	0.500 12.7	5/16 M 8	UC 201 201-8 202 202-10 203 203-11 204 204-12	FT 204	0.45	0.99
UCFT 205 205-14 205-15 205-16	25 mm 7/8 15/16 1	4-7/8 124	3-7/8 98.8	1-7/32 31	1/2 13	25/32 20	1/2 13	2-3/4 70	1-13/32 35.8	0.5629 14.3	3/8 M 10	UC 205 205-14 205-15 205-16	FT 205	0.64	1.41
UCFT 206 206-17 206-18 206-19 206-20	30 mm 1-1/16 1-1/8 1-3/16 1-1/4	5-9/16 141	4-19/32 116.7	1-11/32 34	1/2 13	13/16 21	1/2 13	3-7/32 82	1-19/32 40.2	0.6259 15.9	3/8 M 10	UC 206 206-17 206-18 206-19 206-20	FT 206	0.91	2.00
UCFT 207 207-20 207-21 207-22 207-23	35 mm 1-1/4 1-5/16 1-3/8 1-7/16	6-1/2 155	5-1/8 130	1-7/16 36.5	9/16 14	27/32 21-1/2	9/16 14	3-47/64 95	1-3/4 44.4	0.6889 17.5	7/16 M 12	UC 207 207-20 207-21 207-22 207-23	FT 207	1.28	2.82
UCFT 208 208-24 208-25	40 mm 1-1/2 1-9/16	6-23/32 171	5-27/32 143.7	1-17/32 39	9/16 14	15/16 24	9/16 14	4-1/8 105	2-1/32 51.2	0.7480 19	7/16 M 12	UC 208 208-24 208-25	FT 208	1.64	3.61
UCFT 209 209-26 209-27 209-28	45 mm 1-5/8 1-11/16 1-3/4	7-1/16 179	5-27/32 148.4	1-9/16 40	9/16 14	15/16 24	5/8 16	4-3/8 111	2-1/16 52.2	0.7480 19	1/2 M 14	UC 209 209-26 209-27 209-28	FT 209	1.88	4.14
UCFT 210 210-30 210-31 210-32	50 mm 1-7/8 1-15/16 2	7-7/16 189	6-3/16 157	1-27/32 47	9/16 14	1-1/8 28.5	5/8 16	4-9/16 116	2-5/32 54.6	0.7480 19	1/2 M 14	UC 210 210-30 210-31 210-32	FT 210	2.18	4.80
UCFT 211 211-32 211-34 211-35	55 mm 2 2-1/8 2-3/16	8-1/2 216	7-1/4 184	1-31/32 50	25/32 20	1-1/4 32	11/16 18	5-1/4 133	2-5/16 58.4	0.8740 22.2	5/8 M16	UC 211 211-32 211-34 211-35	FT 211	3.25	7.15