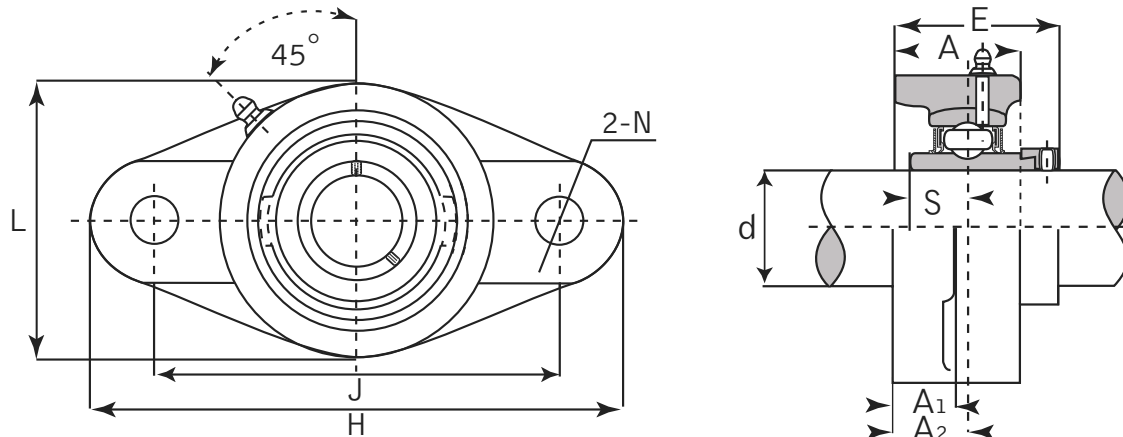




# Two-Bolt Holes Flange Unit

Normal Duty

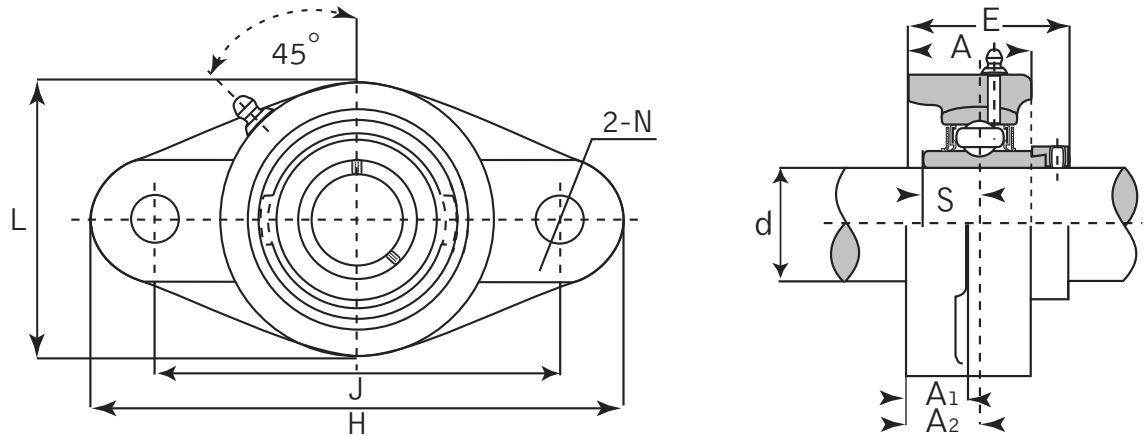


## HCFLU Eccentric Locking Collar

Unit No.	Shaft Dia. (inch / mm)	Dimensions (inch / mm)									Bolt Size	Bearing No.	Housing No.	Mass	
		d	H	J	A	A1	A2	N	L	E				S	kg
HCFLU 201 201-8 202 202-10 203 203-11 204 204-12	12 mm 1/2 15 mm 5/8 17 mm 11/16 20 mm 3/4	4-7/16 <b>112.5</b>	3-17/32 <b>90</b>	1-5/32 <b>29.5</b>	19/32 <b>15</b>	3/4 <b>19</b>	7/16 <b>11.5</b>	2-13/32 <b>61</b>	1-25/32 <b>45.5</b>	0.6692 <b>17</b>	3/8 M 10	HC 201 201-8 202 202-10 203 203-11 204 204-12	FLU 204	0.50	1.10
HCFLU 205 205-14 205-15 205-16	25 mm 7/8 15/16 1	4-27/32 <b>123</b>	3-29/32 <b>99</b>	1-3/16 <b>30</b>	19/32 <b>15</b>	3/4 <b>19</b>	7/16 <b>11.5</b>	2-3/4 <b>70</b>	1-13/16 <b>45.9</b>	0.6850 <b>17.4</b>	3/8 M10	HC 205 205-14 205-15 205-16	FLU 205	0.69	1.52
HCFLU 206 206-18 206-19 206-20	30 mm 1-1/8 1-3/16 1-1/4	5-19/32 <b>142</b>	4-19/32 <b>116.5</b>	1-9/32 <b>32.5</b>	5/8 <b>16</b>	25/32 <b>20</b>	7/16 <b>11.5</b>	3-7/32 <b>82</b>	1-31/32 <b>50.1</b>	0.7165 <b>18.2</b>	3/8 M10	HC 206 206-18 206-19 206-20	FLU 206	0.98	2.16
HCFLU 207 207-20 207-21 207-22 207-23	35 mm 1-1/4 1-5/16 1-3/8 1-7/16	6-7/32 <b>158</b>	5-1/8 <b>130</b>	1-13/32 <b>36</b>	21/32 <b>17</b>	13/16 <b>21</b>	9/16 <b>14</b>	3-11/16 <b>94</b>	2-3/32 <b>53.3</b>	0.7401 <b>18.8</b>	7/16 M12	HC 207 207-20 207-21 207-22 207-23	FLU 207	1.41	3.10
HCFLU 208 208-24 208-25	40 mm 1-1/2 1-9/16	6-25/32 <b>172</b>	5-21/32 <b>143.5</b>	1-17/32 <b>39</b>	21/32 <b>17</b>	15/16 <b>24</b>	9/16 <b>14</b>	4-3/64 <b>103</b>	2-5/16 <b>58.9</b>	0.8425 <b>21.4</b>	7/16 M12	HC 208 208-24 208-25	FLU 208	1.77	3.89
HCFLU 209 209-26 209-27 209-28	45 mm 1-5/8 1-11/16 1-3/4	7-3/32 <b>180</b>	5-27/32 <b>148.5</b>	1-9/16 <b>40</b>	23/32 <b>18</b>	15/16 <b>24</b>	5/8 <b>16</b>	4-1/4 <b>108</b>	2-5/16 <b>58.9</b>	0.8425 <b>21.4</b>	1/2 M14	HC 209 209-26 209-27 209-28	FLU 209	2.00	4.40

# Two-Bolt Holes Flange Unit

Normal Duty



## HCFLU Eccentric Locking Collar

Unit No.	Shaft Dia. (inch / mm)	Dimensions (inch / mm)									Bolt Size	Bearing No.	Housing No.	Mass	
		d	H	J	A	A1	A2	N	L	E				S	kg
HCFLU 210 210-30 210-31 210-32	50 mm 1-7/8 1-15/16 2	7-15/32 <b>190</b>	6-3/16 <b>157</b>	1-25/32 <b>45</b>	25/32 <b>20</b>	1-3/32 <b>28</b>	23/32 <b>18</b>	4-1/2 <b>114</b>	2-19/32 <b>66.1</b>	0.9685 <b>24.6</b>	5/8 M 16	HC 210 210-30 210-31 210-32	FLU 210	2.38	5.24
HCFLU 211 211-32 211-34 211-35	55 mm 2 2-1/8 2-3/16	8-17/32 <b>217</b>	7-1/4 <b>184</b>	1-7/8 <b>48</b>	13/16 <b>21</b>	1-7/32 <b>31</b>	23/32 <b>18</b>	5-3/32 <b>128</b>	2-15/16 <b>74.6</b>	1.0905 <b>27.7</b>	5/8 M16	HC 211 211-32 211-34 211-35	FLU 211	3.52	7.74
HCFLU 212 212-36 212-38 212-39	60 mm 2-1/4 2-3/8 2-7/16	9-11/32 <b>237</b>	7-15/16 <b>202</b>	2-3/32 <b>53</b>	13/16 <b>21</b>	1-11/32 <b>34</b>	23/32 <b>18</b>	5-7/16 <b>138</b>	3-3/16 <b>80.8</b>	1.2165 <b>30.9</b>	5/8 M 16	HC 212 212-36 212-38 212-39	FLU 212	4.8	10.56
HCFLU 213 213-40	65 mm 2-1/2	10-3/32 <b>256</b>	8-9/32 <b>210</b>	2-7/32 <b>56</b>	7/8 <b>22</b>	1-1/2 <b>38</b>	13/16 <b>21</b>	5-31/32 <b>152</b>	3-17/32 <b>89.6</b>	1.3425 <b>34.1</b>	11/16 M 18	HC 213 213-40	FLU 213	6.0	13.2
HCFLU 214 214-43 214-44	70 mm 2-11/16 2-3/4	10-13/32 <b>264</b>	8-1/2 <b>216</b>	2-9/32 <b>58</b>	29/32 <b>23</b>	1-1/2 <b>38</b>	13/16 <b>21</b>	6-3/16 <b>157</b>	3-17/32 <b>89.6</b>	1.3425 <b>34.1</b>	11/16 M 18	HC 214 214-43 214-44	FLU 213	6.3	13.86
HCFLU 215 215-47 215-48	75 mm 2-15/16 3	10-13/16 <b>275</b>	8-27/32 <b>225</b>	2-7/16 <b>62</b>	1-5/8 <b>41</b>	1-5/8 <b>41</b>	13/16 <b>21</b>	6-15/32 <b>164</b>	3-25/32 <b>95.8</b>	1.4690 <b>34.1</b>	11/16 M 18	HC 215 215-47 215-48	FLU 215	7.2	15.84