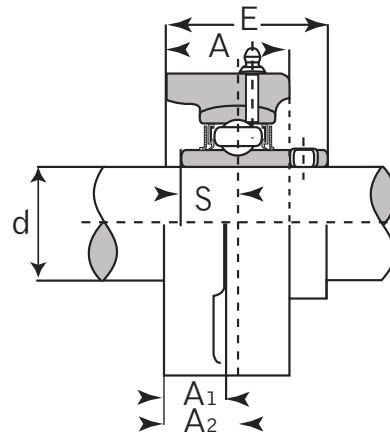
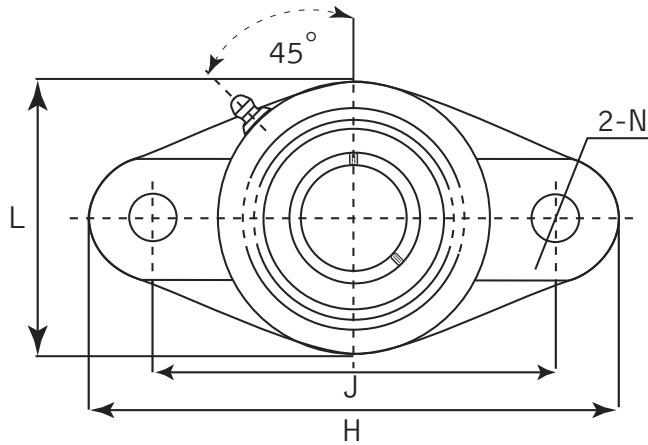




# Two-Bolt Holes Flange Unit

Normal Duty

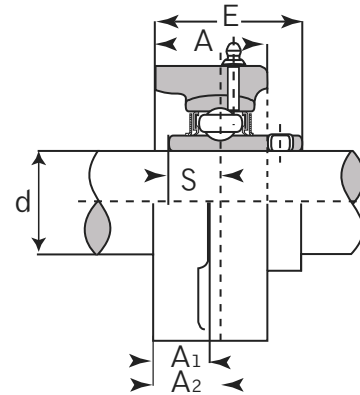
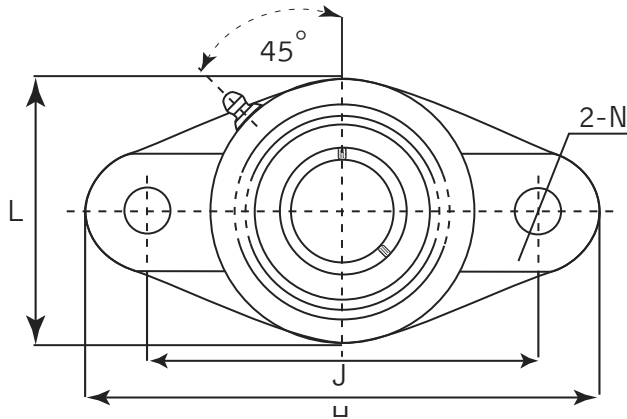


## UCFL Set Screw Locking

Unit No.	Shaft Dia. (inch / mm)	Dimensions (inch / mm)									Bolt Size	Bearing No.	Housing No.	Mass		
		d	H	J	A	A1	A2	N	L	E				S	kg	lbs
UCFL 201	12 mm												UC 201		0.45	0.99
201-8	1/2												201-8	FL 204	0.44	0.97
202	15 mm												202		0.44	0.97
202-10	5/8	4-7/16	3-35/64	1	7/16	19/32	15/32	2-3/8	1-5/16	0.500	3/8	202-10		0.44	0.97	
203	17 mm	<b>113</b>	<b>90</b>	<b>25.5</b>	<b>11</b>	<b>15</b>	<b>12</b>	<b>57</b>	<b>33.3</b>	<b>12.7</b>	M10	203		0.43	0.95	
203-11	11/16											203-11		0.42	0.92	
204	20 mm											204		0.41	0.90	
204-12	3/4											204-12		0.41	0.90	
UCFL 205	25 mm											UC 205		0.58	1.28	
205-14	7/8	5-1/8	3-57/64	1-1/16	1/2	5/8	5/8	2-11/16	1-13/32	0.5629	1/2	205-14	FL 205	0.61	1.34	
205-15	15/16	<b>130</b>	<b>99</b>	<b>27</b>	<b>13</b>	<b>16</b>	<b>16</b>	<b>68</b>	<b>35.8</b>	<b>14.3</b>	M 14	205-15		0.59	1.30	
205-16	1											205-16		0.58	1.28	
UCFL 206	30 mm											UC 206		0.86	1.89	
206-18	1-1/8	5-13/16	4-39/64	1-7/32	1/2	45/64	5/8	3-5/32	1-19/32	0.6259	1/2	206-18	FL 206	0.88	1.94	
206-19	1-3/16	<b>148</b>	<b>117</b>	<b>31</b>	<b>13</b>	<b>18</b>	<b>16</b>	<b>80</b>	<b>40.2</b>	<b>15.9</b>	M 14	206-19		0.86	1.89	
206-20	1-1/4											206-20		0.85	1.87	
UCFL 207	35 mm											UC 207		1.08	2.38	
207-20	1-1/4	6-11/32	5-1/8	1-13/32	35/64	3/4	5/8	3-35/64	1-3/4	0.6889	1/2	207-20	FL 207	1.14	2.51	
207-21	1-5/16	<b>161</b>	<b>130</b>	<b>34</b>	<b>14</b>	<b>19</b>	<b>16</b>	<b>90</b>	<b>44.4</b>	<b>17.5</b>	M14	207-21		1.11	2.44	
207-22	1-3/8											207-22		1.08	2.38	
207-23	1-7/16											207-23		1.05	2.31	
UCFL 208	40 mm											UC 208		1.44	3.17	
208-24	1-1/2	6-7/8	5-43/64	1-13/32	35/64	53/64	5/8	3-15/16	2-1/64	0.7480	1/2	208-24	FL 208	1.48	3.26	
208-25	1-9/16	<b>175</b>	<b>144</b>	<b>36</b>	<b>14</b>	<b>21</b>	<b>16</b>	<b>100</b>	<b>51.2</b>	<b>19</b>	M 14	208-25		1.45	3.19	
UCFL 209	45 mm											UC 209		1.74	3.83	
209-26	1-5/8	7-13/32	5-53/64	1-1/2	19/32	55/64	3/4	4-1/4	2-1/16	0.7480	5/8	209-26	FL 209	1.84	4.05	
209-27	1-11/16	<b>188</b>	<b>148</b>	<b>38</b>	<b>15</b>	<b>22</b>	<b>19</b>	<b>108</b>	<b>52.2</b>	<b>19</b>	M16	209-27		1.80	3.96	
209-28	1-3/4											209-28		1.76	3.87	

# Two-Bolt Holes Flange Unit

## Normal Duty



### UCFL Set Screw Locking

Unit No.	Shaft Dia. (inch / mm)	Dimensions (inch / mm)									Bolt Size	Bearing No.	Housing No.	Mass		
		d	H	J	A	A1	A2	N	L	E				S	kg	lbs
UCFL 210	50 mm												UC 210		2.10	4.62
210-30	1-7/8	7-3/4	6-3/16	1-37/64	19/32	55/64	3/4	4-17/32	2-5/32	0.7480	5/8	210-30	FL 210	2.17	4.77	
210-31	1-15/16	<b>197</b>	<b>157</b>	<b>40</b>	<b>15</b>	<b>22</b>	<b>19</b>	<b>115</b>	<b>54.6</b>	<b>19</b>	M16	210-31		2.12	4.66	
210-32	2											210-32		2.08	4.58	
UCFL 211	55 mm											UC 211		2.91	6.40	
211-32	2	8-13/16	7-1/4	1-11/16	23/32	63/64	3/4	5-1/8	2-5/16	0.8740	5/8	211-32	FL 211	3.06	6.73	
211-34	2-1/8	<b>224</b>	<b>184</b>	<b>43</b>	<b>18</b>	<b>25</b>	<b>19</b>	<b>130</b>	<b>58.4</b>	<b>22.2</b>	M16	211-34		2.95	6.49	
211-35	2-3/16											211-35		2.89	6.36	
UCFL 212	60 mm											UC 212		3.74	8.23	
212-36	2-1/4	9-27/32	7-61/64	1-7/8	23/32	1-9/64	29/32	5-1/2	2-23/32	1.000	3/4	212-36	FL 212	3.87	8.51	
212-38	2-3/8	<b>250</b>	<b>202</b>	<b>48</b>	<b>18</b>	<b>29</b>	<b>23</b>	<b>140</b>	<b>68.7</b>	<b>25.4</b>	M 20	212-38		3.72	8.18	
212-39	2-7/16											212-39		3.65	8.03	
UCFL 213	65 mm											UC 213		4.57	10.05	
213-40	2-1/2	10-5/32	8-17/64	1-31/32	7/8	1-3/16	29/32	6-3/32	2-3/4	1.000	3/4	213-40	FL 213	4.66	10.25	
UCFL 214	70 mm											UC 214		5.11	11.24	
214-43	2-11/16	10-7/16	8-1/2	2-1/8	7/8	1-7/32	29/32	6-5/16	2-31/32	1.1889	3/4	214-43	FL 214	5.22	11.48	
214-44	2-3/4	<b>265</b>	<b>216</b>	<b>54</b>	<b>22</b>	<b>31</b>	<b>23</b>	<b>160</b>	<b>75.4</b>	<b>30.2</b>	M 20	214-44		5.12	11.26	
UCFL 215	75 mm											UC 215		5.37	11.81	
215-47	2-15/16	10-13/16	8-55/64	2-7/32	7/8	1-11/32	29/32	6-1/2	3-3/32	1.3110	3/4	215-47	FL 215	5.51	12.12	
215-48	3	<b>275</b>	<b>225</b>	<b>56</b>	<b>22</b>	<b>34</b>	<b>23</b>	<b>165</b>	<b>78.5</b>	<b>33.3</b>	M 20	215-48		5.40	11.88	
UCFL 216	80 mm											UC 216		7.20	15.84	
216-50	3-1/8	11-13/32	9-11/64	2-9/32	7/8	1-11/32	63/64	7-3/32	3-9/32	1.3110	7/8	216-50	FL 216	7.38	16.24	
UCFL 217	85 mm											UC 217		8.61	18.94	
217-52	3-1/4	12	9-49/64	2-15/32	15/16	1-27/64	63/64	7-15/32	3-7/16	1.3425	7/8	217-52	FL 217	8.83	19.43	
217-55	3-7/16	<b>305</b>	<b>248</b>	<b>63</b>	<b>24</b>	<b>36</b>	<b>25</b>	<b>190</b>	<b>87.6</b>	<b>34.1</b>	M 22	217-55		8.69	19.12	
UCFL 218	90 mm											UC 218		10.51	23.12	
218-56	3-1/2	12-19/32	10-7/16	2-11/16	15/16	1-37/64	63/64	8-1/16	3-25/32	1.5629	7/8	218-56	FL 218	10.62	23.36	