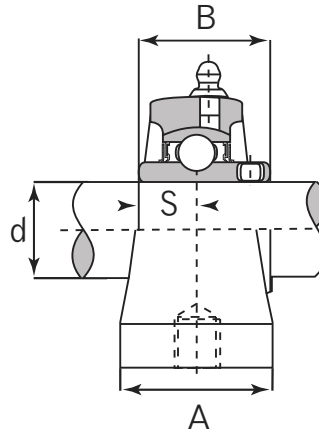
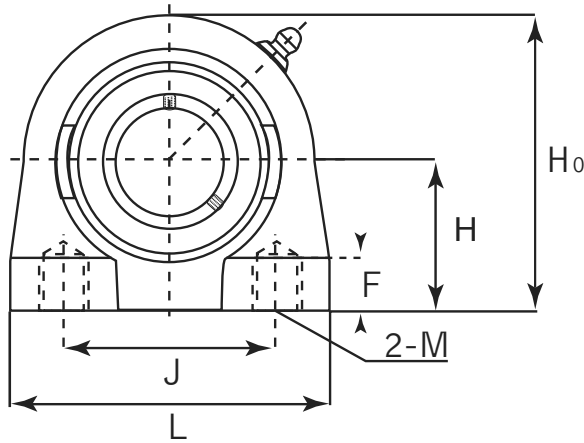




Pillow Block

Normal Duty



UCPA Taped Base

Unit No.	Shaft Dia. (inch / mm)	Dimensions (inch / mm)								Bolt Size	Bearing No.	Housing No.	Weight	
		d	H	H0	L	J	A	B	S				F	M
UCPA 204 204-12	20 mm 3/4	1-3/16 30.2	2-7/16 62	3 76	2-3/64 52	1-9/16 40	1.2204 31	0.500 12.7	7/16 11	M 10 x 1.5	UC 204 204-12	PA 204	0.56 0.56	1.25 1.25
UCPA 205 205-14 205-15 205-16	25 mm 7/8 15/16 1	1-7/16 36.5	2-53/64 72	3-5/16 84	2-13/64 56	1-1/2 38	1.3425 34.1	0.5629 14.3	15/32 12	M 10 x 1.5	UC 205 205-14 205-15 205-16	PA 205	0.83 0.86 0.84 0.83	1.83 1.89 1.85 1.83
UCPA 206 206-18 206-19 206-20	30 mm 1-1/8 1-3/16 1-1/4	1-11/16 42.9	3-5/16 84	3-45/64 94	2-19/32 66	1-31/32 50	1.5 38.1	0.6259 15.9	15/32 12	M 14 x 2	UC 206 206-18 206-19 206-20	PA 206	1.12 1.14 1.12 1.11	2.46 2.51 2.46 2.44
UCPA 207 207-20 207-21 207-22 207-23	35 mm 1-1/4 1-5/16 1-3/8 1-7/16	1-7/8 47.6	3-47/64 95	4-21/64 110	3-5/32 80	2-11/64 55	1.6889 42.9	0.6889 17.5	33/64 13	M 14 x 2	UC 207 207-20 207-21 207-22 207-23	PA 207	1.48 1.48 1.54 1.48 1.45	3.26 3.26 3.39 3.26 3.19
UCPA 208 208-24 208-25	40 mm 1-1/2 1-9/16	1-15/16 42.9	3-15/16 100	4-9/16 116	3-5/16 84	2-9/32 58	1.9370 49.2	0.7480 19	33/64 13	M 14 x 2	UC 208 208-24 208-25	PA 208	1.89 1.93 1.90	4.16 4.25 4.18
UCPA 209 209-26 209-27 209-28	45 mm 1-5/8 1-11/16 1-3/4	2-9/64 54.2	4-1/4 108	4-23/32 120	3-35/64 90	2-23/64 60	1.9370 49.2	0.7480 19	33/64 13	M 14 x 2	UC 209 209-26 209-27 209-28	PA 209	1.98 2.08 2.04 2.00	4.36 4.58 4.49 4.40
UCPA 210 210-30 210-31 210-32	50 mm 1-7/8 1-15/16 2	2-1/4 57.2	4-9/16 116	5-1/8 130	3-45/64 94	2-33/64 64	2.0314 51.6	0.7480 19	35/64 14	M 16 x 2	UC 210 210-30 210-31 210-32	PA 210	2.16 2.23 2.16 2.14	4.75 4.91 4.75 4.71
UCPA 211 211-32 211-34 211-35	55 mm 2 2-1/8 2-3/16	2-1/2 63.5	4-59/64 125	5-33/64 140	4-3/32 104	2-19/32 66	2.1889 55.6	0.8740 22.2	35/64 14	M 16 x 2	UC 211 211-32 211-34 211-35	PA 211	3.26 3.41 3.30 3.24	7.17 7.50 7.26 7.13
UCPA 212 212-36 212-38 212-39	60 mm 2-1/4 2-3/8 2-7/16	2-3/4 69.9	5-7/16 138	5-29/32 150	4-31/64 114	2-43/64 68	2.5629 65.1	1.000 25.4	19/32 15	M 16 x 2	UC 212 212-36 212-38 212-39	PA 212	4.19 4.32 4.17 4.10	9.22 9.50 9.17 9.02