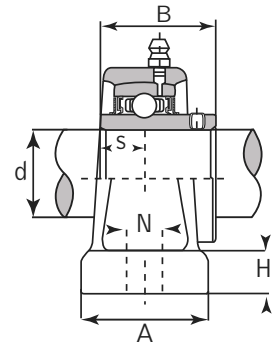
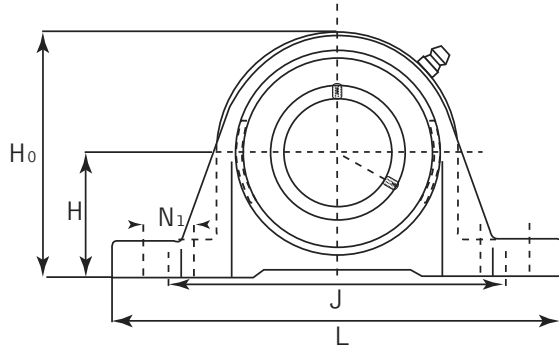




Pillow Block

Normal Duty



UCPE Set Screw Locking

Unit No.	Shaft Dia. (inch / mm)	Dimensions (inch / mm)										Bolt Size	Bearing No.	Housing No.	Weight	
		d	H	H0	H1	L	J	A	N	N1	S				B	kg
UCPE 201-8 202 202-9 202-10 203 203-11 204 204-12	1/2 15 mm 9/16 5/8 17 mm 11/16 20 mm 3/4	1-5/16 33.3	2-9/16 65	19/32 15	5 127	3-3/4 95	1-1/2 38	1/2 13	5/8 16	0.500 12.7	1.2205 31	3/8 M10	UC 201-8 202 202-9 202-10 203 203-11 204 204-12	PE 204	0.8	1.76
UCPE 205 205-14 205-15 205-16	25 mm 7/8 15/16 1	1-7/16 36.5	2-3/4 70	5/8 16	5-1/2 140	4-1/8 105	1-1/2 38	1/2 13	5/8 16	0.5629 14.3	1.339 34	3/8 M10	UC 205 205-14 205-15 205-16	PE 205	1	2.2
UCPE 206 206-17 206-18 206-19 206-20	30 mm 1-1/16 1-1/8 1-3/16 1-1/4	1-11/16 42.9	3-9/32 83	23/32 18	6-1/2 165	4-49/64 121	1-7/8 48	21/32 17	13/16 21	0.6259 15.9	1.5 38.1	1/2 M14	UC 206 206-17 206-18 206-19 206-20	PE 206	1.6	3.5
UCPE 207 207-20 207-21 207-22 207-23	35 mm 1-1/4 1-5/16 1-3/8 1-7/16	1-7/8 47.6	3-11/16 94	3/4 19	6-9/16 167	5 127	1-7/8 48	21/32 17	13/16 21	0.6889 17.5	1.689 42.9	1/2 M14	UC 207 207-20 207-21 207-22 207-23	PE 207	2.1	4.6
UCPE 208 208-24 208-25	40 mm 1-1/2 1-9/16	1-15/16 49.2	3-15/16 100	3/4 19	7-1/4 184	5-25/64 137	2-1/8 54	21/32 17	31/32 25	0.7480 19	1.937 49.2	1/2 M14	UC 208 208-24 208-25	PE 208	2.6	5.7
UCPE 209 209-26 209-27 209-28	45 mm 1-5/8 1-11/16 1-3/4	2-1/8 54	4-1/4 108	25/32 20	7-15/32 190	5-3/4 146	2-1/8 54	21/32 17	31/32 25	0.7480 19	1.937 49.2	1/2 M14	UC 209 209-26 209-27 209-28	PE 209	3	6.6
UCPE 210 210-30 210-31 210-32	50 mm 1-7/8 1-15/16 2	2-1/4 57.2	4-1/2 114	7/8 22	8-1/8 206	6-1/4 159	2-3/8 60	25/32 20	31/32 23	0.7480 19	2.0315 51.6	5/8 M16	UC 210 210-30 210-31 210-32	PE 210	3.6	7.9
UCPE 211 211-32 211-34 211-35	55 mm 2 2-1/8 2-3/16	2-1/2 63.5	4-31/32 126	7/8 22	8-5/8 219	6-23/32 171	2-3/8 60	25/32 20	31/32 23	0.8740 22.2	2.1890 55.6	5/8 M16	UC 211 211-32 211-34 211-35	PE 211	4.4	9.7
UCPE 212 212-36 212-38 212-39	60 mm 2-1/4 2-3/8 2-7/16	2-3/4 69.8	5-7/16 138	31/32 25	9-1/2 241	7-1/4 184	2-3/4 70	25/32 20	31/32 25	1.000 25.4	2.5630 65.1	5/8 M16	UC 212 212-36 212-38 212-39	PE 212	6.2	13.6
UCPE 213 213-40	65 mm 2-1/2	3 76.2	5-29/32 150	1-1/16 27	10-7/16 265	8 203	2-3/4 70	31/32 25	1-3/16 29	1.000 25.4	2.5630 65.1	3/4 M20	UC 213 213-40	PE 213	7	15.4
UCPE 214 214-43 214-44	70 mm 2-11/16 2-3/4	3-1/8 79.4	6-3/16 156	1-1/16 27	10-15/32 266	8-9/32 210	2-27/32 72	31/32 25	1-1/4 31	1.1889 30.2	2.9370 74.6	3/4 M20	UC 214 214-43 214-44	PE 214	7.6	16.7
UCPE 215 215-47 215-48	75 mm 2-15/16 3	3-1/4 82.6	6-13/32 162	1-3/32 28	10-13/16 275	8-17/32 217	2-29/32 74	31/32 25	1-1/4 31	1.3110 33.3	3.0630 77.8	3/4 M20	UC 215 215-47 215-48	PE 215	8.5	18.7