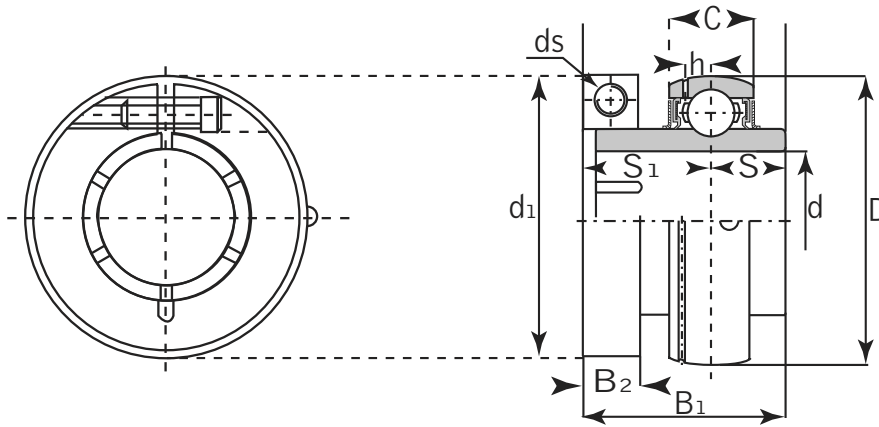




# Bearing Insert

## G RaB Loc Series - Normal Duty



### GC

Unit No.	Shaft Dia. (inch / mm)	Dimensions (inch / mm)									Basic Load Rating lbf / N		Weight	
		d	D	d1	B1	B2	C	S	S1	h	ds	Dynamic	Static	kg
GC 204 204-12	20 mm 3/4	1.8504 <b>47</b>	1.7520 <b>44.5</b>	1.2795 <b>32.5</b>	0.3740 <b>9.5</b>	0.5906 <b>15</b>	0.500 <b>12.7</b>	0.7795 <b>19.8</b>	0.1575 <b>4.0</b>	8-32 x 5/8	2877 12800	1484 6600	0.22	0.48
GC 205 205-14 205-15 205-16	25 mm 7/8 15/16 1	2.0472 <b>52</b>	1.9370 <b>49.2</b>	1.4370 <b>36.5</b>	0.3740 <b>9.5</b>	0.6692 <b>17</b>	0.5630 <b>14.3</b>	0.8740 <b>22.2</b>	0.1654 <b>4.2</b>	8-32 x 5/8	3147 14000	1753 7800	0.35	0.77
GC 206 206-18 206-19 206-20	30 mm 1-1/8 1-3/8 1-1/4	2.4409 <b>62</b>	2.1890 <b>55.6</b>	1.5630 <b>39.7</b>	0.3740 <b>9.5</b>	0.7087 <b>18</b>	0.6260 <b>15.9</b>	0.9370 <b>23.8</b>	0.1890 <b>4.8</b>	8-32 x 5/8	4361 19400	2518 11200	0.50	1.10
GC 207 207-20 207-21 207-22 207-23	35 mm 1-1/4 1-5/16 1-3/8 1-7/16	2.8346 <b>72</b>	2.5590 <b>65</b>	1.7520 <b>44.5</b>	0.4370 <b>11.1</b>	0.7480 <b>19</b>	0.6890 <b>17.5</b>	1.0630 <b>27.0</b>	0.2126 <b>5.4</b>	10-24 x 3/4	5755 25600	3417 15200	0.66	1.45
GC 208 208-24 208-25	40 mm 1-1/2 1-9/16	3.1496 <b>80</b>	2.6890 <b>68.3</b>	2.000 <b>50.8</b>	0.4370 <b>11.1</b>	0.8661 <b>22</b>	0.7480 <b>19.0</b>	1.2520 <b>31.8</b>	0.2323 <b>5.9</b>	10-24 x 3/4	7328 32600	4551 19800	0.81	1.78
GC 209 209-26 209-27 209-28	45 mm 1-5/8 1-11/16 1-3/4	3.3464 <b>85</b>	2.9370 <b>74.6</b>	2.000 <b>50.8</b>	0.4370 <b>11.1</b>	0.8661 <b>22</b>	0.7480 <b>19.0</b>	1.2520 <b>31.8</b>	0.2402 <b>6.1</b>	10-24 x 3/4	4878 32700	4586 20400	0.83	1.83
GC 210 210-30 210-31 210-32	50 mm 1-7/8 1-15/16 2	3.5433 <b>90</b>	3.3740 <b>85.7</b>	2.0945 <b>53.2</b>	0.5630 <b>14.3</b>	0.8661 <b>22</b>	0.7480 <b>19.0</b>	1.3425 <b>34.1</b>	0.2559 <b>6.5</b>	1/4-20 x 1	7868 35000	5193 23100	1.09	2.40
GC 211 211-32 211-34 211-35	55 mm 2 2-1/8 2-3/16	3.9370 <b>100</b>	3.6220 <b>92</b>	2.2520 <b>57.2</b>	0.5630 <b>14.3</b>	0.9449 <b>24</b>	0.8740 <b>22.2</b>	1.3740 <b>34.9</b>	0.2795 <b>7.1</b>	1/4-20 x 1	9734 43300	6564 29200	1.32	2.91
GC 212 212-36 212-38 212-39	60 mm 2-1/4 2-3/8 2-7/16	4.3307 <b>110</b>	4.1338 <b>105</b>	2.6260 <b>66.7</b>	0.6890 <b>17.5</b>	1.0236 <b>26</b>	1.000 <b>25.4</b>	1.6260 <b>41.3</b>	0.2992 <b>7.6</b>	5/16-18 x 1	10723 47700	7396 32900	1.95	4.30