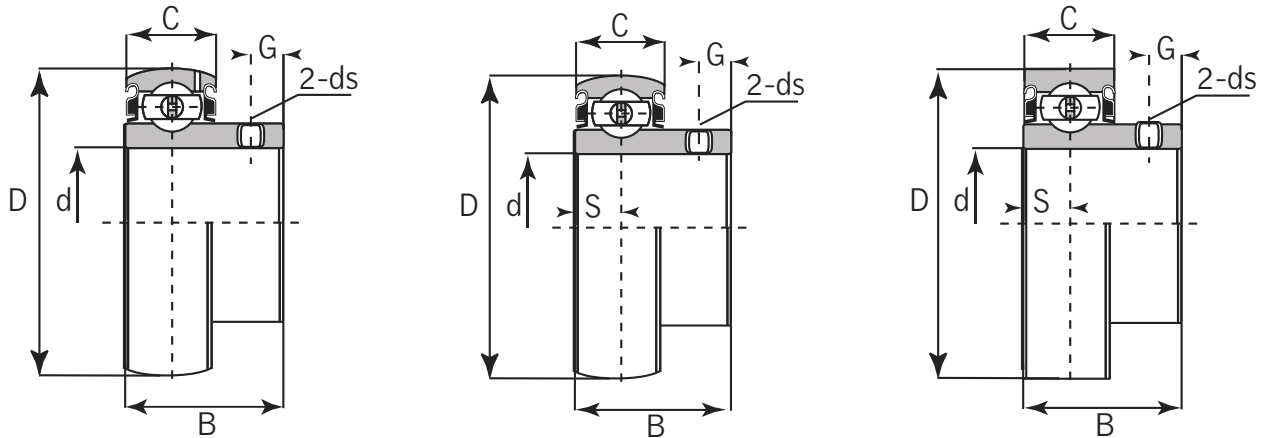




# Bearing Inserts

## Set Screw Series - Light Duty



### SB...G, SB & CSB

Unit No.	Shaft Dia. (inch / mm)	Dimensions (inch / mm)						Basic Load Rating lbf / N		Weight	
	d	D	B	C	S	G	ds	Dynamic Cr	Static Cor	kg	lbs
SB 201 201-8 202 202-9 202-10 203 203-11	12 mm 1/2 15 mm 9/16 5/8 17 mm 11/16	1.5748 <b>40</b>	0.8661 <b>22</b>	0.4724 <b>12</b>	0.2362 <b>6</b>	1.1772 <b>4.5</b>	1/4-28 UNF M5 x 0.8	2151 9570	1057 4700	0.10 0.10 0.09 0.09 0.09 0.08 0.08	0.22 0.22 0.20 0.20 0.20 0.18 0.18
SB 204 204-12	20 mm 3/4	1.8504 <b>47</b>	0.9840 <b>25</b>	0.5512 <b>14</b>	0.2756 <b>7</b>	1.1772 <b>4.5</b>	1/4-28 UNF M6 x 0.75	2886 12840	1495 6650	0.12 0.13	0.26 0.29
SB 205 205-14 205-15 205-16	25 mm 7/8 15/16 1	2.0472 <b>52</b>	1.0630 <b>27</b>	0.5906 <b>15</b>	0.2953 <b>7.5</b>	0.1969 <b>5</b>	1/4-28 UNF M6 x 0.75	3152 14020	1771 7880	0.18 0.17 0.17 0.16	0.40 0.37 0.37 0.35
SB 206 206-18 206-19 206-20	30 mm 1-1/8 1-3/16 1-1/4	2.4409 <b>62</b>	1.1811 <b>30</b>	0.6299 <b>16</b>	0.3150 <b>8</b>	0.2170 <b>5.5</b>	1/4-28 UNF M6 x 0.75	4375 19460	2542 11310	0.25 0.26 0.25 0.23	0.55 0.57 0.55 0.51
SB 207 207-20 207-21 207-22 207-23	35 mm 1-1/4 1-5/16 1-3/8 1-7/16	2.8346 <b>72</b>	1.2598 <b>32</b>	0.6693 <b>17</b>	0.3346 <b>8.5</b>	0.2362 <b>6</b>	5/16-24 UNF M8 x 1	57706 25670	34394 15300	0.37 0.41 0.39 0.37 0.35	0.81 0.90 0.86 0.81 0.77
SB 208 208-24 208-25	40 mm 1-1/2 1-9/16	3.1496 <b>80</b>	1.3386 <b>34</b>	0.7087 <b>18</b>	0.3543 <b>9</b>	0.3150 <b>8</b>	5/16-24 UNF M8 x 1	6636 29520	4078 18140	0.45 0.48 0.45	0.99 1.06 0.99
SB 209 209-26 209-27 209-28	45 mm 1-5/8 1-11/16 1-3/4	3.3465 <b>85</b>	1.6220 <b>41.2</b>	0.7480 <b>19</b>	0.4016 <b>10.2</b>	0.3150 <b>8</b>	5/16-24 UNF M8 x 1	7119 31670	4649 20680	0.69 0.76 0.73 0.69	1.51 1.67 1.60 1.51
SB 210 210-30 210-31 210-32	50 mm 1-7/8 1-15/16 2	3.5433 <b>90</b>	1.7126 <b>45.3</b>	0.7874 <b>20</b>	0.4291 <b>10.9</b>	0.3543 <b>9</b>	5/16-24 UNF M10 x 1.25	35070 7884	23180 5211	0.79 0.83 0.79	1.73 1.82 1.73
SB 211 211-32 211-34 211-35	55 mm 2 2-1/8 2-3/16	3.9370 <b>100</b>	1.7126 <b>45.3</b>	0.8268 <b>21</b>	0.4646 <b>11.8</b>	0.3937 <b>10</b>	3/8-24 UNF M10 x 1.25	43380 9752	29220 6569	0.84 0.96 0.87 0.81	1.84 2.11 1.91 1.78
SB 212 212-36 212-38 212-39	60 mm 2-1/4 2-3/8 2-7/16	4.3307 <b>110</b>	2.1142 <b>53.7</b>	0.8661 <b>22</b>	0.5866 <b>14.9</b>	0.3937 <b>10</b>	3/8-24 UNF M10 x 1.25	47760 10736	32930 7403	1.20 1.30 1.09	2.64 2.86 2.39

Add (G)suffix for regreasable. (ex. SB 205-16G)