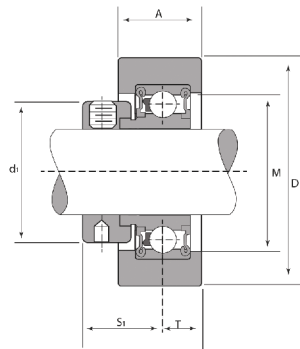
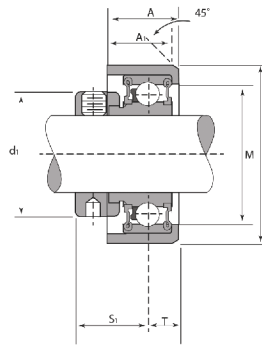


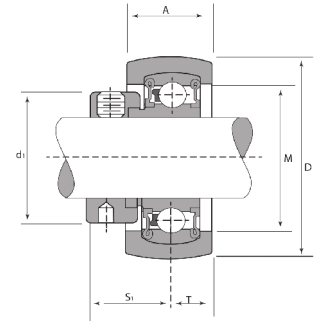
Hvac Bearings



RSCM



RCR / LRCR



RABR

RCR & LRCR

Locking Collar Unit No.	Bore	inch / mm	inch / mm	inch / mm	inch / mm	inch / mm	inch / mm	inch / mm	inch / mm	Bearing No.	Rubber Insert No.	Rating lbs N Dynamic Cr	Weight lbs / Kg
	inch / mm												
RSCM 17 1/2 5/8	17 1/2 5/8	2-17/32 64.3	1 25.4	-	1-3/8 34.9	1-1/8 28.5	7/8 22.2	1/2 12.7	CSA 203 201-8 202-10	RC-3	200 880	0.87 0.395	
RSCM 20 3/4	20 3/4	2-17/32 64.3	1 25.4	-	1-8/16 39.7	1-5/16 33.3	59/64 23.4	1/2 12.7	CSA 204 204-12	RC-4	250 1120	1.04 0.472	
RSCM 25 15/16 1	25 15/16 1	2-17/32 64.3	1 25.4	-	1-25/32 42.2	1-1/2 38.1	59/64 23.4	1/2 12.7	CSA 205 205-15 205-16	RC-5	300 1340	1.16 0.527	
LRCM 1-3/16	1-3/16	2-17/32 64.3	1 25.4	-	1-7/8 47.6	1-21/32 42.1	25/32 19.8	1/2 12.7	CSA 206-19	RC-6	300 1340	1.38 0.627	
RCR Series													
LRCR 3/4	3/4	1-13/16 46	23/32 18.3	5/8 15.9	1-3/8 34.9	1-3/16 30.2	47/64 18.7	25/64 9.9	CSA 104-12	LRCR-12	200 880	0.6 0.272	
RCR 25 1	25 1	2-1/4 57.2	25/32 19.8	11/16 17.5	1-3/4 44.4	1-1/2 38.1	59/64 23.4	25/64 9.9	CSA 205 205-16	RCR-16	300 1340	0.9 0.41	

RABR

Locking Collar Unit No.	Bore	inch / mm	inch / mm	inch / mm	inch / mm	inch / mm	inch / mm	inch / mm	inch / mm	Bearing No.	Rubber Insert No.	Rating lbs N Dynamic Cr	Weight lbs / Kg
	inch / mm												
RABR 17 1/2 5/8	17 1/2 5/8	1.865 47.37	1-1/8 28.6	11/16 17.5	1-3/8 34.9	1-1/8 28.6	7/8 22.2	11/32 8.7	SA 203 201-8 202-10	R-4	200 880	0.87 0.395	
RABR 20 3/4	20 3/4	2.062 53.37	1-7/32 31	11/16 17.5	1-5/8 41.3	1-5/16 33.3	59/64 23.4	59/64 8.7	SA 204 204-12	R-5	250 1120	1.04 0.472	
RABR 25 15/16 1	25 15/16 1	2.456 62.38	1-7/32 31	13/16 20.6	1-27/32 46.8	1-1/2 38.1	59/64 23.4	13/32 10.3	SA 205 205-15 205-16	R-6	300 1340	1.16 0.527	
RABR 30 1-3/16	30 1-3/16	2.456 62.38	1-13/32 35.7	13/16 20.6	1-27/32 46.8	1-3/4 44.4	1-1/8 28.6	13/32 10.3	SA 206 206-19	R-7	300 1340	1.38 0.627	