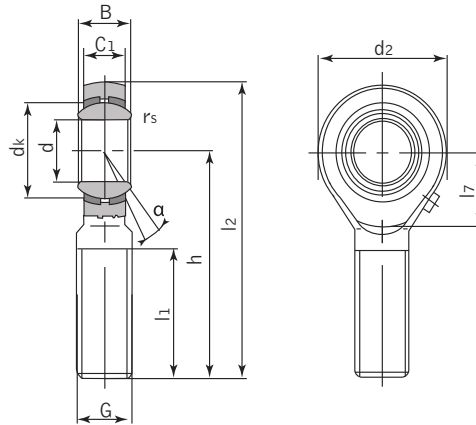




Rod End

Steel-on-Bronze



SABP

Bearing Number	Dimensions (mm)							Load Ratings kN						Weight ~kg	
	d	B	dk	C1 Max	d2	G 6G	h	l1 min	l2	l7	rs min	$\alpha^\circ \approx$	Dynamic		Static
SABP 5S	5	8	11.112	6	16	M5	33	20	41	—	0.3	13	3.3	3.9	0.016
SABP 6S	6	9	12.7	6.75	18	M6	36	22	45	—	0.3	13	4.3	5.3	0.026
SABP 8S	8	12	15.88	9	22	M8	42	25	53	—	0.3	14	6.8	8.5	0.044
SABP 10S	10	14	19.05	10.5	26	M10	48	29	61	—	0.3	14	10	11	0.072
SABP 10S-B1	10	14	19	10.5	26	M10 X 1.25	48	29	61	—	0.3	14	10	11	0.072
SABP 12S	12	16	22.23	12	30	M12	54	33	69	—	0.3	13	13	14	0.108
SABP 14S	14	19	25.4	13.5	34	M14	60	36	77	—	0.3	16	17	20	0.161
SABP 16S	16	21	28.58	15	38	M16	66	40	85	—	0.3	15	21	25	0.225
SABP 18S	18	23	31.75	16.5	42	M18x1.5	72	44	93	23	0.6	15	26	30	0.295
SABP 20S	20	25	34.93	18	46	M20x1.5	78	47	101	25	0.6	15	31	35	0.382
SABP 22S	22	28	38.1	20	50	M22x1.5	84	51	109	27	0.6	15	38	43	0.488
SABP 25S	25	31	42.86	22	60	M24x2	94	57	124	29	0.6	15	47	65	0.749
SABP 28S	28	35	47.63	25	66	M27x2	103	62	136	33	0.6	15	59	77	0.949
SABP 30S	30	37	50.8	25	70	M30x2	110	66	145	39	0.6	17	63	86	1.13

Can supply other rod ends with different pitch or accuracy of thread.

For left-hand thread suffix "L" is added to bearings number and thread sign e.g. SILBP20S M20x1.5L-6H.

The rod and inner ring of the bearings is of stainless steel and the mark of the items has a letter "X". That is SIBP...S/X.