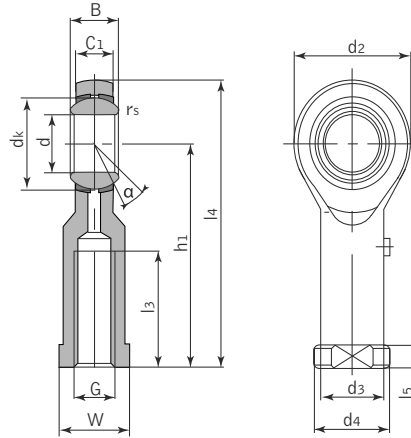




Rod End

Steel-on-Bronze



SIBP

Bearing Number	Dimensions (mm)														Load Ratings kN		Weight ~kg	
	d	B	dK	C1 Max	d2	G 6H	h1	l3 Min	l4	l5	W	d3	d4	rs min	α° ≈	Dynamic		Static
SIBP5S	5	8	11.112	6	16	M5	27	14	35	4	9	9	11	0.3	13	3.3	4.1	0.016
SIBP6S	6	9	12.7	6.75	18	M6	30	14	39	5	11	10	13	0.3	13	4.3	5.3	0.026
SIBP8S	8	12	15.88	9	22	M8	36	17	47	5	14	12.5	16	0.3	14	6.8	8.5	0.044
SIBP10S	10	14	19.05	10.5	26	M10	43	21	56	6.5	17	15	19	0.3	14	10	11	0.072
SIBP10S/B1	10	14	19.05	10.5	26	M10×1.25	43	21	56	6.5	17	15	19	0.3	14	10	11	0.072
SIBP12S	12	16	22.23	12	30	M12	50	24	65	6.5	19	17.5	22	0.3	13	13	14	0.108
SIBP12S/B2	12	16	22.23	12	30	M12×1.25	50	24	65	6.5	19	17.5	22	0.3	13	13	14	0.108
SIBP14S	14	19	25.4	13.5	34	M14	57	27	74	8	22	20	25	0.3	16	17	20	0.161
SIBP14S/B1	14	19	25.4	13.5	34	M14×1.5	57	27	74	8	22	20	25	0.3	16	17	20	0.161
SIBP16S	16	21	28.58	15	38	M16	64	33	83	8	22	22	27	0.3	15	21	25	0.225
SIBP16S/B1	16	21	28.58	15	38	M16×1.5	64	33	83	8	22	22	27	0.3	15	20	25	0.225
SIBP18S	18	23	31.75	16.5	42	M18×1.5	71	36	92	10	27	25	31	0.6	15	26	30	0.295
SIBP20S	20	25	34.93	18	46	M20×1.5	77	40	100	10	30	27.5	34	0.6	15	31	35	0.382
SIBP22S	22	28	38.1	20	50	M22×1.5	84	43	109	12	32	30	37	0.6	15	38	43	0.488
SIBP25S	25	31	42.86	22	60	M24×2	94	48	124	12	36	33.5	42	0.6	15	47	65	0.749
SIBP28S	28	35	47.63	25	66	M27×2	103	53	136	12	41	37	46	0.6	15	59	77	0.949
SIBP30S	30	37	50.8	25	70	M30×2	110	56	145	15	41	40	50	0.6	17	63	86	1.13

Can supply other rod ends with different pitch or accuracy of thread.
For left-hand thread suffix "L" is added to bearings number and thread sign e.g. SILBP20S.