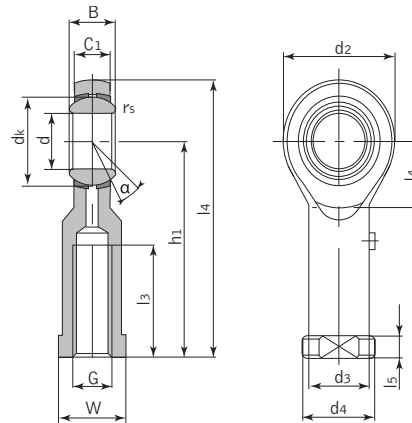


# Rod End

## Steel-on-Bronze



## SIBP

Bearing Number	Dimensions (mm)																Load Ratings kN		Weight ~kg
	d	B	dK	C1 Max	d2	G 6H	h1	l3 Min	l4	l5	l7	W	d3	d4	rs min	$\alpha^{\circ} \approx$	Dynamic	Static	
SIBP5S	5	8	11.112	6	16	M5	27	14	35	4	8	9	9	11	0.3	13	3.3	4.1	0.016
SIBP6S	6	9	12.7	6.75	18	M6	30	14	39	5	9	11	10	13	0.3	13	4.3	5.3	0.026
SIBP8S	8	12	15.88	9	22	M8	36	17	47	5	11	14	12.5	16	0.3	14	6.8	8.5	0.044
SIBP10S	10	14	19.05	10.5	26	M10	43	21	56	6.5	13	17	15	19	0.3	14	10	11	0.072
SIBP10S/B1	10	14	19.05	10.5	26	M10x1.25	43	21	56	6.5	13	17	15	19	0.3	14	10	11	0.072
SIBP12S	12	16	22.23	12	30	M12	50	24	65	6.5	15	19	17.5	22	0.3	13	13	14	0.108
SIBP12S/B2	12	16	22.23	12	30	M12x1.25	50	24	65	6.5	15	19	17.5	22	0.3	13	13	14	0.108
SIBP14S	14	19	25.4	13.5	34	M14	57	27	74	8	16	22	20	25	0.3	16	17	20	0.161
SIBP14S/B1	14	19	25.4	13.5	34	M14x1.5	57	27	74	8	16	22	20	25	0.3	16	17	20	0.161
SIBP16S	16	21	28.58	15	38	M16	64	33	83	8	17.5	22	22	27	0.3	15	21	25	0.225
SIBP16S/B1	16	21	28.58	15	38	M16x1.5	64	33	83	8	17.5	22	22	27	0.3	15	20	25	0.225
SIBP18S	18	23	31.75	16.5	42	M18x1.5	71	36	92	10	19.5	27	25	31	0.6	15	26	30	0.295
SIBP20S	20	25	34.93	18	46	M20x1.5	77	40	100	10	21.5	30	27.5	34	0.6	15	31	35	0.382
SIBP22S	22	28	38.1	20	50	M22x1.5	84	43	109	12	23	32	30	37	0.6	15	38	43	0.488
SIBP25S	25	31	42.86	22	60	M24x2	94	48	124	12	29.5	36	33.5	42	0.6	15	47	65	0.749
SIBP28S	28	35	47.63	25	66	M27x2	103	53	136	12	32.5	41	37	46	0.6	15	59	77	0.949
SIBP30S	30	37	50.8	25	70	M30x2	110	56	145	15	34	41	40	50	0.6	17	63	86	1.13

Can supply other rod ends with different pitch or accuracy of thread.

For left-hand thread suffix "L" is added to bearings number and thread sign e.g. SILBP20S M20x1.5L-6H.

The rod and inner ring of the bearings is of stainless steel and the mark of the items has a letter "X". That is SIBP...S/X.