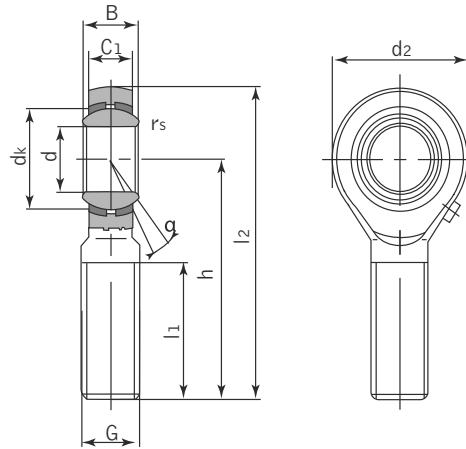




# Rod End

## Steel-on-Bronze



## SAZP

Bearing Number	Dimensions (inch / mm)											Load Ratings kN		Weight ~kg
	d	B	dk	C1 Max	d2	G	h	l1 min	l2	rs min	$\alpha^\circ \approx$	Dynamic	Static	
SAZP4Z	<b>0.19</b> 4.83	<b>0.312</b> 7.92	<b>0.437</b> 11.1	<b>0.25</b> 6.35	<b>0.625</b> 15.88	10-32	<b>1.25</b> 31.75	<b>0.75</b> 19.05	<b>1.563</b> 39.7	<b>0.012</b> 0.3	10	3.4	3.8	0.013
SAZP6Z	<b>0.25</b> 6.35	<b>0.375</b> 9.53	<b>0.5</b> 12.7	<b>0.281</b> 7.14	<b>0.75</b> 19.05	1/4-28	<b>1.562</b> 39.67	<b>1</b> 25.4	<b>1.937</b> 49.2	<b>0.012</b> 0.3	13	4.5	6.6	0.022
SAZP7Z	<b>0.3125</b> 7.94	<b>0.437</b> 11.1	<b>0.625</b> 15.88	<b>0.344</b> 8.74	<b>0.875</b> 22.23	5/16-24	<b>1.875</b> 47.63	<b>1.25</b> 31.75	<b>2.312</b> 58.72	<b>0.012</b> 0.3	10	6.9	8.4	0.037
SAZP9Z	<b>0.375</b> 9.53	<b>0.5</b> 12.7	<b>0.719</b> 18.26	<b>0.406</b> 10.31	<b>1</b> 25.4	3/8-24	<b>1.938</b> 49.23	<b>1.25</b> 31.75	<b>2.438</b> 61.93	<b>0.024</b> 0.6	9	9.4	10	0.055
SAZP11Z	<b>0.4375</b> 11.11	<b>0.562</b> 14.27	<b>0.812</b> 20.62	<b>0.437</b> 11.1	<b>1.125</b> 28.58	7/16-20	<b>2.125</b> 53.98	<b>1.375</b> 34.93	<b>2.688</b> 68.28	<b>0.024</b> 0.6	11	11	13	0.078
SAZP12Z	<b>0.5</b> 12.7	<b>0.625</b> 15.88	<b>0.937</b> 23.81	<b>0.5</b> 12.7	<b>1.312</b> 33.32	1/2-20	<b>2.438</b> 61.93	<b>1.5</b> 38.1	<b>3.094</b> 78.59	<b>0.024</b> 0.6	9	15	19	0.12
SAZP15Z	<b>0.625</b> 15.88	<b>0.75</b> 19.05	<b>1.125</b> 28.58	<b>0.562</b> 14.27	<b>1.5</b> 38.1	5/8-18	<b>2.625</b> 66.68	<b>1.625</b> 41.28	<b>3.375</b> 85.73	<b>0.024</b> 0.6	11	20	21	0.18
SAZP19Z	<b>0.75</b> 19.05	<b>0.875</b> 22.23	<b>1.312</b> 33.32	<b>0.687</b> 17.45	<b>1.75</b> 44.45	3/4-16	<b>2.875</b> 73.03	<b>1.75</b> 44.45	<b>3.75</b> 95.25	<b>0.024</b> 0.6	10	29	29	0.29
SAZP25Z	<b>1</b> 25.4	<b>1.375</b> 34.93	<b>1.875</b> 47.63	<b>1</b> 25.4	<b>2.75</b> 69.85	1 1/4-12	<b>4.125</b> 104.78	<b>2.125</b> 53.98	<b>5.5</b> 139.7	<b>0.024</b> 0.6	14	60	101	1.1

For left-hand thread, suffix "L" is added to bearings number e.g. SALZP12Z.