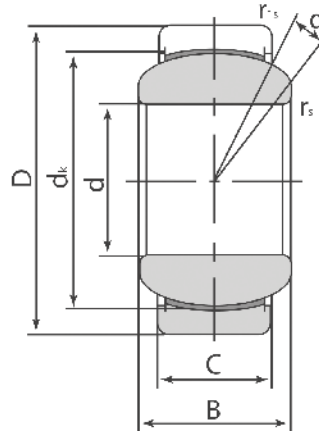




Spherical Plain



GEZ ET-2RS

Bearing Number	Dimensions (inch / mm)								Load Ratings kN		Weight ~kg
	d	D	B	C	dk	min r _s	min r _{1s}	a° ~	Dynamic	Static	
GEZ19ET-2RS	0.75 / 19.05	1.25 / 31.75	0.656 / 16.662	0.562 / 14.275	1.081 / 27.5	0.012 / 0.3	0.024 / 0.6	6	50	100	0.053
GEZ22ET-2RS	0.875 / 22.225	1.4375 / 36.513	0.756 / 19.431	0.656 / 16.662	1.258 / 32	0.012 / 0.3	0.024 / 0.6	6	69	138	0.085
GEZ25ET-2RS	1 / 25.4	1.625 / 41.275	0.875 / 22.225	0.75 / 19.05	1.437 / 36.5	0.012 / 0.3	0.024 / 0.6	6	104	208	0.121
GEZ31ET-2RS	1.25 / 31.75	2 / 50.8	1.093 / 27.762	0.937 / 23.8	1.788 / 45.5	0.024 / 0.6	0.024 / 0.6	6	160	320	0.23
GEZ34ET-2RS	1.375 / 34.925	2.1875 / 55.563	1.187 / 30.15	1.031 / 26.187	1.926 / 49	0.024 / 0.6	0.04 / 1	6	190	380	0.35
GEZ38ET-2RS	1.5 / 38.1	2.4375 / 61.913	1.312 / 33.325	1.125 / 28.575	2.154 / 54.7	0.024 / 0.6	0.04 / 1	6	235	470	0.42
GEZ44ET-2RS	1.75 / 44.45	2.8125 / 71.438	1.531 / 38.887	1.312 / 33.325	2.511 / 63.9	0.024 / 0.6	0.04 / 1	6	320	640	0.64
GEZ50ET-2RS	2 / 50.8	3.1875 / 80.963	1.75 / 44.45	1.5 / 38.1	2.869 / 73	0.024 / 0.6	0.04 / 1	6	415	830	0.93
GEZ57ET-2RS	2.25 / 57.15	3.5625 / 90.488	1.969 / 50.013	1.687 / 42.85	3.223 / 82	0.024 / 0.6	0.04 / 1	6	525	1050	1.3
GEZ63ET-2RS	2.5 / 63.5	3.9375 / 100.013	2.187 / 55.55	1.875 / 47.625	3.616 / 92	0.04 / 1	0.04 / 1	6	655	1310	1.85
GEZ69ET-2RS	2.75 / 69.85	4.375 / 111.125	2.406 / 61.112	2.062 / 52.375	3.937 / 100	0.04 / 1	0.04 / 1	6	785	1570	2.4
GEZ76ET-2RS	3 / 76.2	4.75 / 120.65	2.625 / 66.675	2.25 / 57.15	4.303 / 109.5	0.04 / 1	0.04 / 1	6	935	1870	3.1
GEZ82ET-2RS	3.25 / 82.55	5.125 / 130.175	2.844 / 72.238	2.437 / 61.9	4.685 / 119	0.04 / 1	0.04 / 1	6	1100	2200	3.8
GEZ88ET-2RS	3.5 / 88.9	5.5 / 139.7	3.062 / 77.775	2.625 / 66.675	5.04 / 128	0.04 / 1	0.04 / 1	6	1280	2560	4.8
GEZ95ET-2RS	3.75 / 95.25	5.875 / 149.225	3.281 / 83.337	2.812 / 71.425	5.393 / 137	0.04 / 1	0.04 / 1	6	1460	2920	5.8
GEZ101ET-2RS	4 / 101.6	6.25 / 158.75	3.5 / 88.9	3 / 76.2	5.748 / 146	0.04 / 1	0.04 / 1	6	1660	3320	7
GEZ107ET-2RS	4.25 / 107.95	6.625 / 168.275	3.719 / 94.463	3.187 / 80.95	6.102 / 155	0.04 / 1	0.04 / 1	6	1880	3760	8.41
GEZ114ET-2RS	4.5 / 114.3	7 / 177.8	3.937 / 100.013	3.375 / 85.725	6.476 / 164.5	0.04 / 1	0.04 / 1	6	2110	4220	9.8
GEZ120ET-2RS	4.75 / 120.65	7.375 / 187.325	4.156 / 105.562	3.562 / 90.475	6.83 / 173.5	0.04 / 1	0.04 / 1	6	2350	4700	11.5
GEZ127ET-2RS	5 / 127	7.75 / 196.85	4.375 / 111.125	3.75 / 95.25	7.204 / 183	0.04 / 1	0.04 / 1	6	2610	5220	13.5
GEZ152ET-2RS	6 / 152.4	8.75 / 222.25	4.75 / 120.65	4.125 / 104.775	8.15 / 207	0.04 / 1	0.04 / 1	5	3250	6500	17.5

GEZ... ET are made of carbon chromium steel, fractured, hardened and phosphated, with a sliding surface of PTFE fabric. The inner rings are made of carbon chromium steel and hardened. The sliding surface is treated with chromium plating. The 2RS design has seals at both sides.