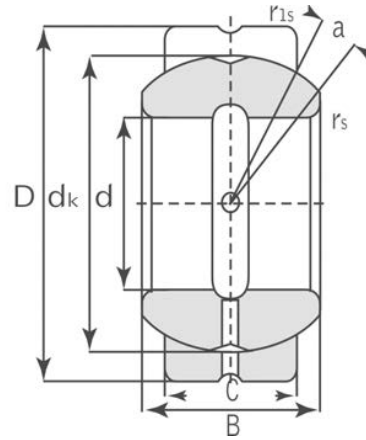


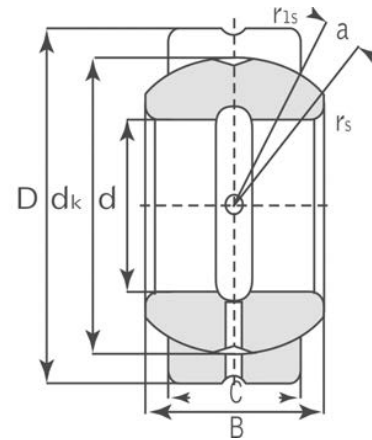


# Spherical Plain



## GEZ ES / GEZ ES-2RS

Bearing Number		Dimensions (inch / mm)								Load Ratings kN		Weight ~ kg
		d	D	B	C	dk	min rs	min r1s	a	Dynamic	Static	
GEZ12ES		<b>0.5</b> 12.7	<b>0.875</b> 22.22	<b>0.437</b> 11.1	<b>0.375</b> 9.52	<b>0.707</b> 18	<b>0.006</b> 0.15	<b>0.024</b> 0.6	6	13	41	0.022
GEZ15ES		<b>0.625</b> 15.87	<b>1.0625</b> 26.99	<b>0.547</b> 13.89	<b>0.469</b> 11.91	<b>0.904</b> 23	<b>0.006</b> 0.15	<b>0.024</b> 0.6	6	22	65	0.036
GEZ19ES	GEZ19ES-2RS	<b>0.75</b> 19.050	<b>1.25</b> 31.750	<b>0.656</b> 16.662	<b>0.562</b> 14.275	<b>1.081</b> 27.5	<b>0.012</b> 0.3	<b>0.024</b> 0.6	6	31	95	0.053
GEZ22ES	GEZ22ES-2RS	<b>0.875</b> 22.225	<b>1.4375</b> 36.513	<b>0.756</b> 19.431	<b>0.656</b> 16.662	<b>1.258</b> 32	<b>0.012</b> 0.3	<b>0.024</b> 0.6	6	42	127	0.085
GEZ25ES	GEZ25ES-2RS	<b>1</b> 25.400	<b>1.625</b> 41.275	<b>0.875</b> 22.225	<b>0.75</b> 19.050	<b>1.437</b> 36.5	<b>0.012</b> 0.3	<b>0.024</b> 0.6	6	56	166	0.121
GEZ31ES	GEZ31ES-2RS	<b>1.25</b> 31.750	<b>2</b> 50.800	<b>1.093</b> 27.762	<b>0.937</b> 23.800	<b>1.788</b> 45.5	<b>0.024</b> 0.6	<b>0.024</b> 0.6	6	86	260	0.23
GEZ34ES	GEZ34ES-2RS	<b>1.375</b> 34.925	<b>2.1875</b> 55.563	<b>1.187</b> 30.150	<b>1.031</b> 26.187	<b>1.926</b> 49	<b>0.024</b> 0.6	<b>0.04</b> 1	6	102	310	0.35
GEZ38ES	GEZ38ES-2RS	<b>1.5</b> 38.100	<b>2.4375</b> 61.913	<b>1.312</b> 33.325	<b>1.125</b> 28.575	<b>2.154</b> 54.7	<b>0.024</b> 0.6	<b>0.04</b> 1	6	125	375	0.42
GEZ44ES	GEZ44ES-2RS	<b>1.75</b> 44.450	<b>2.8125</b> 71.438	<b>1.531</b> 38.887	<b>1.312</b> 33.325	<b>2.511</b> 63.9	<b>0.024</b> 0.6	<b>0.04</b> 1	6	170	510	0.64
GEZ50ES	GEZ50ES-2RS	<b>2</b> 50.800	<b>3.1875</b> 80.963	<b>1.75</b> 44.450	<b>1.5</b> 38.100	<b>2.869</b> 73	<b>0.024</b> 0.6	<b>0.04</b> 1	6	224	670	0.93
GEZ57ES	GEZ57ES-2RS	<b>2.25</b> 57.150	<b>3.5625</b> 90.488	<b>1.969</b> 50.013	<b>1.687</b> 42.850	<b>3.223</b> 82	<b>0.024</b> 0.6	<b>0.04</b> 1	6	280	850	1.3
GEZ63ES	GEZ63ES-2RS	<b>2.5</b> 63.500	<b>3.9375</b> 100.013	<b>2.187</b> 55.550	<b>1.875</b> 47.625	<b>3.616</b> 92	<b>0.04</b> 1	<b>0.04</b> 1	6	355	1060	1.85



## GEZ ES / GEZ ES-2RS

Bearing Number		Dimensions (inch / mm)								Load Ratings kN		Weight ~ kg
		d	D	B	C	dk	min rs	min r1s	a	Dynamic	Static	
GEZ69ES	GEZ69ES-2RS	<b>2.75</b> 69.850	<b>4.375</b> 111.125	<b>2.406</b> 61.112	<b>2.062</b> 52.375	<b>3.937</b> 100	<b>0.04</b> 1	<b>0.04</b> 1	6	415	1250	2.4
GEZ76ES	GEZ76ES-2RS	<b>3</b> 76.200	<b>4.75</b> 120.650	<b>2.625</b> 66.675	<b>2.25</b> 57.150	<b>4.303</b> 109.5	<b>0.04</b> 1	<b>0.04</b> 1	6	500	1500	3.1
GEZ82ES	GEZ82ES-2RS	<b>3.25</b> 82.550	<b>5.125</b> 130.175	<b>2.844</b> 72.238	<b>2.437</b> 61.900	<b>4.685</b> 119	<b>0.04</b> 1	<b>0.04</b> 1	6	585	1760	3.8
GEZ88ES	GEZ88ES-2RS	<b>3.5</b> 88.900	<b>5.5</b> 139.700	<b>3.062</b> 77.775	<b>2.625</b> 66.675	<b>5.04</b> 128	<b>0.04</b> 1	<b>0.04</b> 1	6	680	2040	4.8
GEZ95ES	GEZ95ES-2RS	<b>3.75</b> 95.250	<b>5.875</b> 149.225	<b>3.281</b> 83.337	<b>2.812</b> 71.425	<b>5.393</b> 137	<b>0.04</b> 1	<b>0.04</b> 1	6	780	2360	5.8
GEZ101ES	GEZ101ES-2RS	<b>4</b> 101.600	<b>6.25</b> 158.750	<b>3.5</b> 88.900	<b>3</b> 76.200	<b>5.748</b> 146	<b>0.04</b> 1	<b>0.04</b> 1	6	900	2650	7
GEZ107ES	GEZ107ES-2RS	<b>4.25</b> 107.950	<b>6.625</b> 168.275	<b>3.719</b> 94.463	<b>3.187</b> 80.950	<b>6.102</b> 155	<b>0.04</b> 1	<b>0.04</b> 1	6	1000	3000	8.41
GEZ114ES	GEZ114ES-2RS	<b>4.5</b> 114.300	<b>7</b> 177.800	<b>3.937</b> 100.013	<b>3.375</b> 85.725	<b>6.476</b> 164.5	<b>0.04</b> 1	<b>0.04</b> 1	6	1120	3400	9.8
GEZ120ES	GEZ120ES-2RS	<b>4.75</b> 120.650	<b>7.375</b> 187.325	<b>4.156</b> 105.562	<b>3.562</b> 90.475	<b>6.83</b> 173.5	<b>0.04</b> 1	<b>0.04</b> 1	6	1250	3750	11.5
GEZ127ES	GEZ127ES-2RS	<b>5</b> 127.000	<b>7.75</b> 196.850	<b>4.375</b> 111.125	<b>3.75</b> 95.250	<b>7.204</b> 183	<b>0.04</b> 1	<b>0.04</b> 1	6	1400	4150	13.5
GEZ152ES	GEZ152ES-2RS	<b>6</b> 152.400	<b>8.75</b> 222.250	<b>4.75</b> 120.65	<b>4.125</b> 104.775	<b>8.15</b> 207	<b>0.04</b> 1	<b>0.04</b> 1	5	1730	5200	17.5