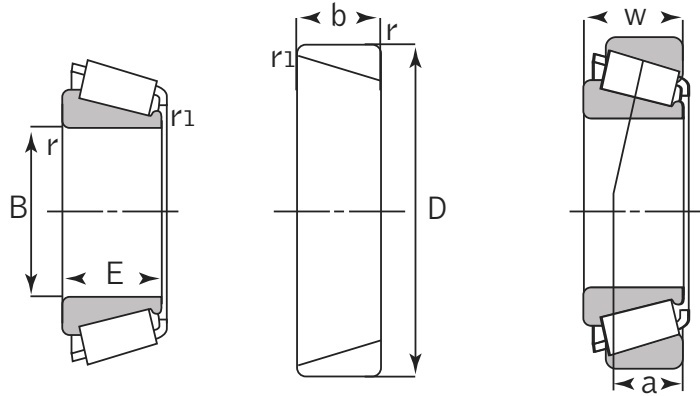
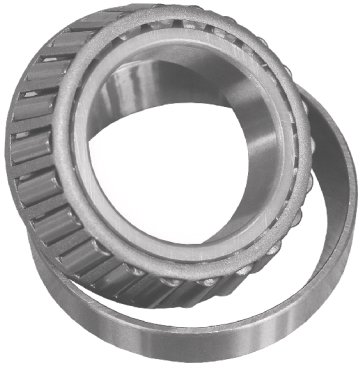




Tapered Roller Bearings

Inch Series

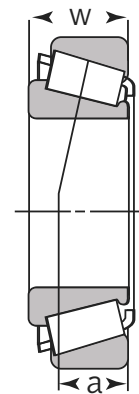
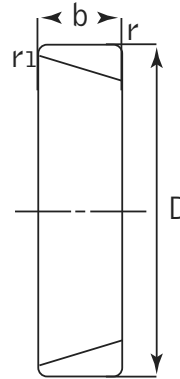
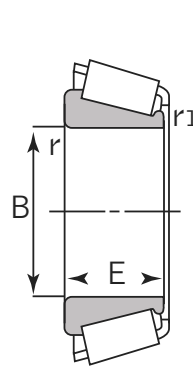


Cups & Cones

Bearing No.		Assembly No.		Dimensions (inches / mm)							Load Center	Mass kg / lbs
Cone	Cup			B	D	W	E	b	R min r	min	a (mm)	
02872	02820	*	SET 50	1.125 28.575	2.875 73.025	0.875 22.225	0.875 22.225	0.687 17.462	0.03 0.8	0.13 3.3		0.480 1.056
07093	07196	*	*	0.937 23.812	1.969 50.01	0.531 13.495	0.561 14.26	0.375 9.525	0.04 1	0.04 1		0.123 0.271
07100	07196	A 19	*	1.000 25.4	1.969 50.01	0.531 13.495	0.561 14.25	0.375 9.525	0.04 1	0.04 1	3	0.115 0.253
07100	07196	*	*	1.000 25.4	1.969 50.01	0.531 13.495	0.561 14.26	0.375 9.525	0.04 1	0.04 1		0.117 0.257
09067	09195	*	*	0.750 19.05	1.938 49.225	0.710 18.034	0.750 19.05	0.563 14.288	0.05 1.3	0.05 1.3		0.179 0.394
11590	11520	*	SET 61	0.625 15.875	1.687 42.862	0.563 14.288	0.563 14.288	0.375 9.525	0.06 1.5	0.06 1.5		0.100 0.220
11590	11520	*	*	0.625 15.875	1.687 42.862	0.563 14.288	0.563 14.288	0.375 9.525	0.06 1.5	0.06 1.5		0.103 0.227
14125 A	14276	*	*	1.250 31.75	2.717 69.012	0.781 19.845	0.771 19.583	0.625 15.875	0.14 3.5	0.05 1.3		0.360 0.792
15101	15245	*	SET 73	1.000 25.4	2.441 62	0.750 19.05	0.813 20.638	0.563 14.288	0.14 3.5	0.05 1.3		0.300 0.660
15103 S	15243	*	*	1.030 26.162	2.437 61.912	0.750 19.05	0.785 19.939	0.563 14.288	0.03 0.8	0.08 2		0.280 0.616
15106	15245	*	SET 51	1.063 26.988	2.441 62	0.750 19.05	0.813 20.638	0.563 14.288	0.05 1.3	0.03 0.8		0.291 0.640
15123	15245	*	*	1.250 31.75	2.441 62	0.715 18.161	0.750 19.05	0.563 14.288	0.05 1.3	0.05 1.3		0.244 0.537
17887	17831	*	SET 62	1.781 45.23	3.149 79.985	0.781 19.842	0.813 20.638	0.594 15.08	0.08 2	0.05 1.3		0.400 0.880
17887	17831	*	*	1.781 45.23	3.149 79.985	0.781 19.842	0.813 20.638	0.594 15.08	0.08 2	0.05 1.3		0.252 0.554
18590	18520	*	*	1.625 41.275	2.875 73.025	0.656 16.667	0.687 17.462	0.500 12.7	0.14 3.5	0.06 1.5		0.281 0.618
18790	18720	*	*	2.000 50.8	3.346 85	0.687 17.462	0.687 17.462	0.531 13.495	0.14 3.5	0.06 1.5		0.374 0.823
1988	1922	A 21	SET 21	1.125 28.575	2.250 57.15	0.781 19.845	0.762 19.355	0.625 15.875	0.14 3.5	0.06 1.5	5.9	0.213 0.469
24780	24720	*	*	1.625 41.275	3.000 76.2	0.875 22.225	0.906 23.02	0.687 17.462	0.14 3.5	0.03 0.8		0.432 0.950
25580	25520	*	SET 52	1.750 44.45	3.265 82.931	0.937 23.812	1.000 25.4	0.750 19.05	0.14 3.5	0.03 0.8		0.561 1.234
25580	25523	*	SET 53	1.750 44.45	3.265 82.931	1.063 26.988	1.000 25.4	0.875 22.225	0.14 3.5	0.09 2.3		0.603 1.327
25580	25520	*	*	1.750 44.45	3.265 82.931	0.937 23.812	1.000 25.4	0.750 19.05	0.14 3.5	0.03 0.8		0.561 1.234

Tapered Roller Bearings

Inch Series



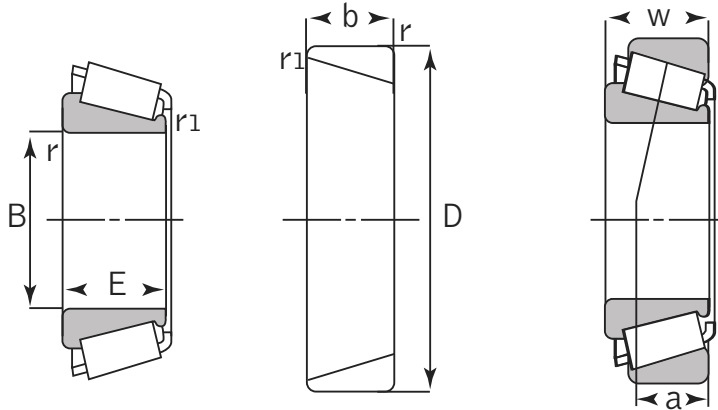
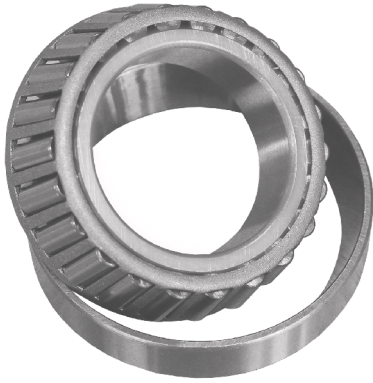
Cups & Cones

Bearing No.		Assembly No.		Dimensions (inches / mm)								Load Center	Mass kg / lbs
Cone	Cup			B	D	W	E	b	R min r	min	a (mm)		
25590	25523	*	SET 55	1.796 45.618	3.265 82.931	1.063 26.988	1.000 25	0.875 22.225	0.14 3.5	0.09 2.3		0.588 1.294	
25590	25520	*	*	1.796 45.618	3.265 82.931	0.937 23.812	1.000 25.400	0.750 19.05	0.14 3.5	0.03 0.8		0.544 1.197	
25590	25523	*	*	1.796 45.618	3.265 82.931	1.063 26.988	1.000 25.400	0.875 22.225	0.14 3.5	0.09 2.3		0.603 1.327	
25877	25821	*	*	1.375 34.925	2.875 73.025	0.937 23.812	0.969 24.608	0.750 19.05	0.06 1.5	0.03 0.8		0.471 1.036	
25880	25820	*	SET 85	1.436 36.487	2.875 73.025	0.937 23.812	0.969 24.608	0.750 19.05	0.06 1.5	0.09 2.3		0.559 1.230	
26882	26822	*	*	1.625 41.275	3.125 79.375	0.937 23.812	1.000 25.400	0.750 19.05	0.14 3.5	0.03 0.8		0.530 1.166	
27687	27620	*	*	3.250 82.55	4.937 125.412	1.000 25.4	1.000 25.4	0.781 19.845	0.14 3.5	0.06 1.5		1.070 2.354	
2788	2720	*	*	1.500 38.1	3.000 76.2	0.937 23.812	1.010 25.654	0.750 19.05	0.14 3.5	0.13 3.3		0.402 0.884	
28584	28521	*	*	2.063 52.388	3.625 92.075	0.969 24.608	1.000 25.4	0.781 19.845	0.14 3.5	0.03 0.8		0.677 1.489	
28985	28920	*	*	2.375 60.325	4.000 101.6	1.000 25.4	1.000 25.4	0.781 19.845	0.14 3.5	0.13 3.3		0.811 1.784	
29590	29520	*	*	2.625 66.675	4.250 107.95	1.000 25.4	1.000 25.4	0.750 19.05	0.14 3.5	0.13 3.3		0.860 1.892	
31594	31520	*	SET 57	1.375 34.92	3.000 76.2	1.156 29.37	1.125 28.575	0.937 23.812	0.13 3.3	0.06 1.5		0.627 1.379	
33275	33462	*	*	2.750 69.85	4.625 117.475	1.187 30.162	1.187 30.162	0.937 23.812	0.14 3.5	0.13 3.3		1.280 2.816	
3379	3320	*	*	1.375 34.925	3.156 80.167	1.156 29.37	1.196 30.391	0.937 23.812	0.14 3.5	0.13 3.3		0.732 1.610	
368 A	362 A	*	*	2.000 50.8	3.500 88.9	0.813 20.638	0.875 22.225	0.650 16.513	0.14 3.5	0.05 1.3		0.516 1.135	
368 S	362	*	SET 66	2.031 51.592	3.543 90	0.813 20.638	0.875 22.225	0.650 16.513	0.08 2.0	0.08 2.0		0.507 1.115	
3780	3720	*	*	2.000 50.8	3.672 93.264	1.187 30.162	1.193 30.302	0.937 23.812	0.14 3.5	0.13 3.3		0.848 1.866	
3782	3720	*	SET 406	1.750 44.45	3.672 93.264	1.187 30.162	1.193 30.302	0.937 23.812	0.14 3.5	0.13 3.3		0.961 2.114	
387 A	382 A	*	SET 74	2.250 57.15	3.813 96.838	0.827 21	0.864 21.946	0.625 15.875	0.14 3.5	0.03 0.8		0.581 1.278	
387 A	382 S	*	SET 75	2.250 57.15	3.813 96.838	1.000 25.4	0.864 21.946	0.798 20.274	0.14 3.5	0.09 2.3		0.650 1.430	



Tapered Roller Bearings

Inch Series

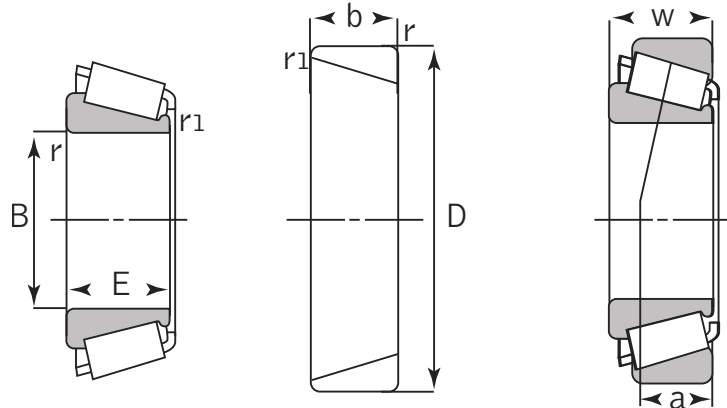


Cups & Cones

Bearing No.		Assembly No.		Dimensions (inches / mm)							Load Center	Mass kg / lbs
Cone	Cup			B	D	W	E	b	R min r	min	a (mm)	
387 AS	382 A	*	SET76	2.250 57.150	3.813 96.838	0.827 21	0.864 21.946	0.625 15.875	0.20 5	0.03 0.8		0.576 1.267
387 AS	382 S	*	*	2.250 57.150	3.813 96.838	0.827 21	0.864 21.946	0.625 15.875	0.20 5.0	0.03 0.8		0.576 1.267
388 A	382	*	SET 77	2.265 57.531	3.875 98.425	0.827 21	0.864 21.946	0.702 17.826	0.14 3.5	0.03 0.8		0.610 1.342
395	394 A	*	*	2.500 63.5	4.331 110	0.866 22	0.866 21.996	0.741 18.824	0.14 3.5	0.05 1.3		0.847 1.863
39581	39520	*	*	2.250 57.15	4.437 112.712	1.187 30.162	1.187 30.162	0.937 23.812	0.31 8.0	0.13 3.3		1.380 3.036
39590	39520	*	*	2.625 66.675	4.437 112.712	1.187 30.162	1.187 30.162	0.937 23.812	0.14 3.5	0.13 3.3		1.190 2.618
3982	3920	*	*	2.500 63	4.437 112.712	1.187 30.162	1.183 30.048	0.937 23.812	0.14 3.5	0.13 3.3		1.200 2.640
3984	3920	*	*	2.625 66.675	4.437 112.712	1.187 30.162	1.183 30.048	0.937 23.812	0.14 3.5	0.13 3.3		1.180 2.596
418	414	*	*	1.500 38.1	3.484 88.5	1.063 26.988	1.145 29.083	0.875 22.225	0.14 3.5	0.06 1.5		0.841 1.850
42687	42620	*	*	3.000 76.2	5.000 127	1.187 30.162	1.220 31	0.875 22.225	0.14 3.5	0.13 3.3		1.460 3.212
4388	4335	*	*	1.625 41.275	3.561 90.448	1.563 39.688	1.590 40.386	1.313 33.338	0.14 3.5	0.13 3.3		1.220 2.684
47686	47620	*	SET 411	3.250 82.55	5.250 133.35	1.313 33.338	1.313 33.338	1.031 26.195	0.14 3.5	0.13 3.3		1.720 3.784
497	493	*	SET 68	3.375 85.725	5.375 136.525	1.187 30.162	1.133 28.789	0.875 22.225	0.14 3.5	0.13 3.3		1.550 3.410
56425	56650	*	SET 79	4.250 107.95	6.500 165.1	1.437 36.512	1.437 36.512	1.063 26.988	0.14 3.5	0.13 3.3		2.690 5.918
57410 S	LM 29710 S	A7	SET 42	1.500 38.1	2.563 65.088	0.710 18.034	0.832 21.139	0.550 13.97	0.14 3.5	0.05 1.3	4.3	0.240 0.528
580	572	*	SET 401	3.250 82.55	5.511 139.992	1.437 36.512	1.421 36.098	1.125 28.575	0.14 3.5	0.13 3.3		2.220 4.884
594 A	592 A	*	SET 403	3.632 92.25	6.000 152.4	1.563 39.688	1.430 36.322	1.187 30.162	0.20 5.0	0.13 3.3		2.510 5.522
598 A	592 A	*	SET 404	3.625 92.075	6.000 152.4	1.563 39.688	1.430 36.322	1.187 30.162	0.25 6.4	0.13 3.3		2.630 5.786

Tapered Roller Bearings

Inch Series



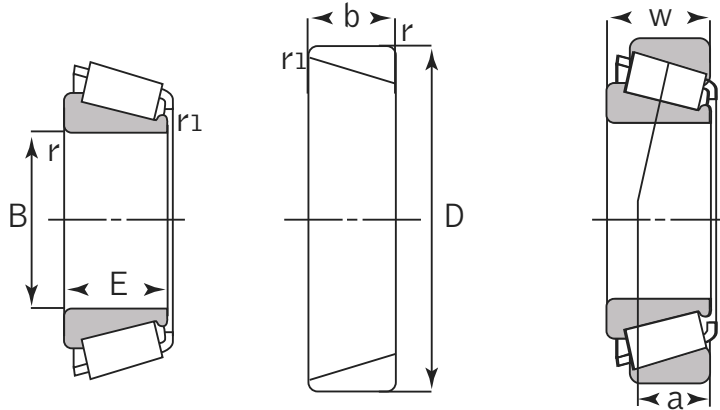
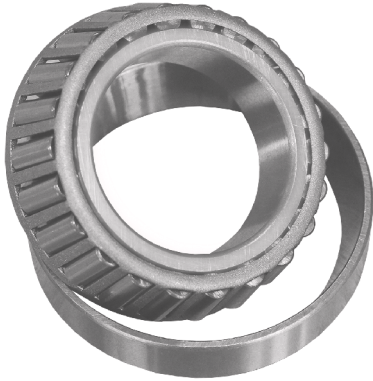
Cups & Cones

Bearing No.		Assembly No.		Dimensions (inches / mm)							Load Center	Mass kg / lbs
Cone	Cup			B	D	W	E	b	R min r	min	a (mm)	
A 6075	A 6175	*	*	0.750 19.05	1.574 39.992	0.473 12.014	0.439 11.153	0.375 9.525	0.04 1	0.05 1.3		0.065 0.143
HM 212047	HM 212011	*	SET 412	2.500 63.5	4.813 122.238	1.500 38.1	1.510 38.354	1.170 29.718	0.28 7	0.13 3.3		1.940 4.268
HM 212049	HM 212011	*	SET 413	2.625 66.675	4.813 122.238	1.500 38.1	1.510 38.354	1.170 29.718	0.14 3.5	0.13 3.3		1.850 4.070
HM 218248	HM 218210	*	SET 414	3.542 89.975	5.786 146.975	1.575 40	1.575 40	1.280 32.5	0.28 7	0.14 3.5		2.520 5.544
HM 518445	HM 518410	*	SET 415	3.500 88.9	6.000 152.4	1.563 39.688	1.563 39.688	1.188 30.163	0.14 3.5	0.13 3.3		2.840 6.248
HM 803145	HM 803110	*	*	1.625 41.275	3.500 88.9	1.187 30.162	1.156 29.37	0.906 23.02	0.03 0.8	0.13 3.3		0.892 1.962
HM 803146	HM 803110	*	*	1.625 41.275	3.500 88.9	1.187 30.162	1.156 29.37	0.906 23.02	0.14 3.5	0.13 3.3		0.892 1.962
HM 803149	HM 803110	*	SET 83	1.750 44.45	3.500 88.9	1.187 30.162	1.156 29.37	0.906 23.02	0.14 3.5	0.13 3.3		0.849 1.868
HM 807040	HM 807010	*	SET 85	1.750 44.45	4.125 104.775	1.437 36.512	1.437 36.512	1.125 28.575	0.14 3.5	0.13 3.3		1.620 3.564
HM 88542	HM 88510	*	SET 81	1.250 31.75	2.875 73.025	1.156 29.37	1.094 27.783	0.906 23.02	0.13 3.3	0.05 1.3		0.622 1.368
HM 88649	HM 88610	*	SET 67	1.375 34.925	2.844 72.233	1.000 25.4	1.000 25.4	0.781 19.842	0.09 2.3	0.09 2.3		0.489 1.076
HM 88649	HM 88610	*	*	1.375 34.925	2.844 72.233	1.000 25.4	1.000 25.4	0.781 19.842	0.09 2.3	0.09 2.3		0.485 1.067
HM 903249	HM 903210	*	SET 64	1.750 44.45	3.750 95.25	1.219 30.958	1.125 28.575	0.875 22.225	0.14 3.5	0.03 0.8		1.000 2.200
JL 26749	JL 26710	*	SET 46	1.260 32	2.087 53	0.571 14.5	0.591 15	0.453 11.5	0.14 3.5	0.05 1.3		0.120 0.264
JL 68145	JL 68111 Z	A 31	SET 24	1.417 36	2.362 60	0.625 15.875	0.727 18.46	0.472 11.99	0.08 2	0.05 1.3	2.5 0.1	0.183 0.403
JL 69345	JL 69310 Z	*	*	1.496 38	2.480 63	0.669 17	0.748 19	0.531 13.5		0.05 1.3		0.198 0.436
JL 69349	JL 69310	A 18	SET 11	1.496 38	2.480 63	0.669 17	0.669 17	0.531 13.5		0.05 1.3	2.3 0.09	0.194 0.427



Tapered Roller Bearings

Inch Series

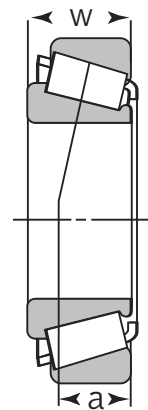
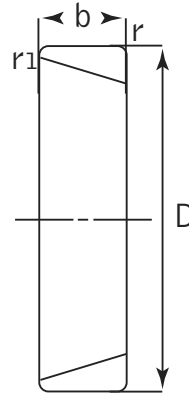
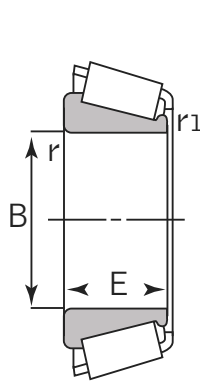
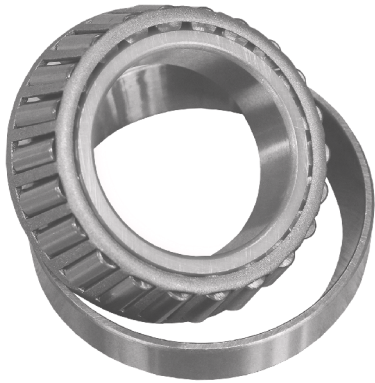


Cups & Cones

Bearing No.		Assembly No.		Dimensions (inches / mm)							Load Center	Mass kg / lbs
Cone	Cup			B	D	W	E	b	R min r	min	a (mm)	
JLM 104948	JLM 104910	*	*	1.969 50	3.228 82	0.846 21.5	0.846 21.5	0.669 17	0.12 3	0.02 0.5		0.420 0.924
JLM 506848E	JLM 506810	A 22	SET 25	2.165 55	3.543 90	0.906 23	1.024 26	0.728 18.5	0.14 3.5	0.02 0.5	0.11 2.8	0.576 1.267
JLM 506849 A	JLM 506811	A7	SET 7	2.165 55	3.543 90	0.906 23	0.906 23	0.728 18.5	0.06 1.5	0.02 0.5	0.11 2.8	0.576 1.267
JLM 67042	LM 67010	*	SET 30	1.102 28	2.250 57.15	0.687 17.462	0.687 17.462	0.531 13.495	0.14 3.5	0.06 1.5		0.270 0.594
JM 204149	JM 205110	*	*	1.969 50	3.543 90	1.102 28	1.102 28	0.906 23	0.12 3	0.10 2.5		0.752 1.654
JM 207049	JM 207010	*	*	2.165 55	3.740 95	1.142 29	1.142 29	0.925 23.5	0.06 1.5	0.10 2.5		0.820 1.804
L 44643	L 44610	A 14	SET 14	1.000 25.4	1.980 50.292	0.560 14.224	0.580 14.732	0.420 10.668	0.05 1.3	0.05 1.3	0.13 3.4	0.130 0.286
L 44649	L 44610	A 4	SET 4	1.063 26.988	1.980 50.292	0.561 14.224	0.580 14.732	0.421 10.668	0.14 3.5	0.05 1.3	0.13 3.4	0.115 0.253
L 45499	L 45410	A 15	SET 8	1.142 29	1.980 50.292	0.560 14.224	0.580 14.732	0.420 10.668	0.14 3.5	0.05 1.3	0.14 3.5	0.110 0.242
L 68149	L 68110	A 13	SET 13	1.377 34.988	2.328 59.131	0.625 15.875	0.660 16.764	0.470 11.938	0.14 3.5	0.05 1.3	0.1 2.5	0.167 0.367
L 68149	L 68111	A 17	SET 17	1.377 34.988	2.361 59.974	0.625 15.875	0.660 16.764	0.470 11.938	0.14 3.5	0.05 1.3	0.1 2.5	0.174 0.383
LM 102949	LM 102910	*	SET 47	1.781 45.242	2.891 73.431	0.771 19.588	0.780 19.812	0.620 15.748	0.14 3.5	0.03 0.8	0.19 4.7	0.303 0.667
LM 102949	LM 102910	*	*	1.781 45.242	2.891 73.431	0.771 19.588	0.780 19.812	0.620 15.748	0.14 3.5	0.03 0.8		0.307 0.675
LM 104949E	LM 104910	A 23	SET 23	2.000 50.8	3.250 82.55	2.038 51.765	2.038 51.765	1.638 41.605	0.14 3.5	0.05 1.3	0.23 5.8	1.100 2.420
LM 104949E	LM 104911	A 38	SET 38	2.000 50.8	3.250 82.55	0.850 21.59	0.875 22.225	0.650 16.51	0.14 3.5	0.05 1.3	0.23 5.8	0.419 0.922
LM 11749	LM 11710	A 1	SET 1	0.687 17.462	1.570 39.878	0.545 13.843	0.575 14.605	0.421 10.688	0.05 1.3	0.05 1.3	0.2 5.3	0.083 0.183
LM 11949	LM 11910	A 2	SET 2	0.750 19.050	1.781 45.237	0.610 15.494	0.655 16.637	0.475 12.065	0.05 1.3	0.05 1.3	0.22 5.6	0.124 0.273
LM 12748	LM 12710	A 34	SET 34	0.844 21.43	1.781 45.237	0.610 15.494	0.655 16.637	0.475 12.065	0.05 1.3	0.05 1.3	0.21 5.4	0.121 0.266

Tapered Roller Bearings

Inch Series



Cups & Cones

Bearing No.		Assembly No.		Dimensions (inches / mm)							Load Center	Mass kg / lbs
Cone	Cup			B	D	W	E	b	R min r	min	a (mm)	
LM 12749	LM 12711	A 16	SET 16	0.866 21.986	1.810 45.974	0.610 15.494	0.655 16.637	0.475 12.065	0.05 1.3	0.05 1.3	5.4 0.21	0.121 0.266
LM 29748	LM 29710	A 81	SET 56	1.500 38.1	2.563 65.088	0.710 18.034	0.720 18.288	0.550 13.97		0.05 1.3	4.3 0.17	0.233 0.513
LM 29749	LM 29710	*	SET 70	1.500 38.1	2.563 65.088	0.710 18.034	0.641 16.288	0.550 13.97	0.09 2.3	0.05 1.3		0.235 0.517
LM 300849	LM 300811	*	*	1.614 40.988	2.676 67.975	0.689 17.5	0.709 18.000	0.531 13.5		0.06 1.5		0.234 0.515
LM 48548	LM 48510	A 5	SET 5	1.375 34.925	2.563 65.088	0.710 18.034	0.720 18.288	0.550 13.97		0.05 1.3	3.7 0.15	0.248 0.546
LM 48548	LM 48511 A	*	SET 60	1.375 34.925	2.563 65.088	0.830 21.082	0.720 18.288	0.670 17.018		0.06 1.5		0.290 0.638
LM 48548 A	LM 48511 A	*	SET 59	34.925 1.375	2.563 65.088	0.830 21.082	0.720 18.288	0.670 17.018	0.8 0.03	0.06 1.5		0.280 0.616
LM 501349	LM 501310	A35	SET 45	1.625 41.275	2.891 73.431	0.771 19.588	0.780 19.812	0.580 14.732	0.14 3.5	0.03 0.8	3.3 0.13	0.327 0.719
LM 501349	LM 501314	*	SET 69	1.625 41.275	2.891 73.431	0.844 21.430	0.780 19.812	0.654 16.604	0.14 3.5	0.03 0.8		0.350 0.770
LM 603049	LM 603012	A 36	SET 36	1.781 45.242	3.063 77.788	0.844 21.430	0.781 19.842	0.656 16.667	0.14 3.5	0.03 0.8	2.2 0.09	0.381 0.838
LM 67045	LM 67010	A 29	SET 22	1.250 31.75	2.328 59.131	0.625 15.875	0.731 18.57	0.465 11.811		0.05 1.3	2.8 0.11	0.180 0.396
LM 67048	LM 67010	A 6	SET 6	1.250 31.75	2.328 59.131	0.625 15.875	0.660 16.764	0.465 11.811		0.05 1.3	2.8 0.11	0.180 0.396
LM 78349	LM 78310 A	*	*	1.378 35	2.441 62	0.657 16.7	0.669 17	0.535 13.599		0.06 1.5		0.222 0.488
M 12649	M 12610	A 3	SET 3	0.844 21.43	1.969 50.005	0.690 17.526	0.720 18.288	0.550 13.97	0.05 1.3	0.05 1.3	6.4 0.25	0.169 0.372
M 201047	M 201011	A7	SET 7	1.563 39.688	2.875 73.025	1.010 25.654	0.870 22.098	0.840 21.336	0.03 0.8	0.09 2.3	5.9 0.23	0.435 0.957
M 84249	M 84210	*	*	1.000 25.4	2.344 59.53	0.920 23.368	0.910 23.114	0.720 18.288	0.03 0.8	0.06 1.5		0.330 0.726
M 86647	M 86610	*	SET 65	1.125 28.575	2.531 64.292	0.844 21.433	0.844 21.433	0.656 16.67	0.06 1.5	0.06 1.5		0.348 0.766
M 86649	M 86610	*	*	1.187 30.162	2.531 64.292	0.844 21.433	0.844 21.433	0.656 16.67	0.06 1.5	0.06 1.5		0.336 0.739
M 88048	M 88010	*	SET 63	1.312 33.338	2.687 68.262	0.875 22.225	0.875 22.225	0.569 17.462	0.03 0.8	0.06 1.5		0.379