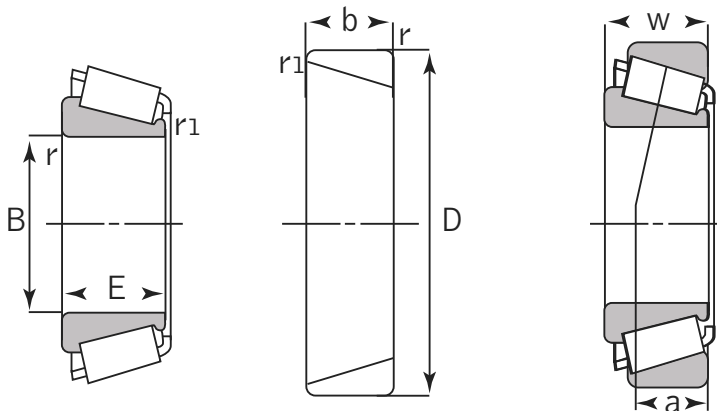




# Tapered Roller Bearings

Metric Series



## 32200

Ass'y No.	Cone Bore (mm)	Cup O.D. (mm)	Bearing W. (mm)	Cone W. (mm)	Cup W. (mm)	Max. Shaft fillet Rad. (mm)	Max. Hang. Fillet Rad. (mm)	Weight (lbs)
	B	D	W	E	b	R	r1	
32206	30	62	21.25	20	17	1	1	0.64
32207	35	72	24.2	23	19	1.5	1.5	0.97
32208	40	80	24.750	23	19	1.5	1.5	1.19
32209	45	85	24.75	23	19	1.5	1.5	1.30
32210	50	90	24.75	23	19	1.5	1.5	1.32
32211	55	100	26.75	25	21	2	1.5	1.87
32212	60	110	29.75	28	24	2	1.5	2.53
32213	65	120	32.75	31	27	2	1.5	3.39
32214	70	125	33.25	31	27	2	1.5	3.61
32215	75	130	33.25	31	27	2	1.5	3.76
32216	80	140	35.25	33	28	2.5	2	4.51
32217	85	150	38.5	36	30	2.5	2	5.81
32218	90	160	42.5	40	34	2.5	2	7.35
32219	95	170	45.5	43	37	3	2.5	9.02
32220	100	180	49	46	39	3	2.5	10.93
32221	105	190	53	50	43	3	2.5	13.31
32222	110	200	56	53	46	3	2.5	15.80
32224	120	215	61.5	58	50	3	2.5	19.87
32226	130	230	67.75	64	54	4.1	3	24.27