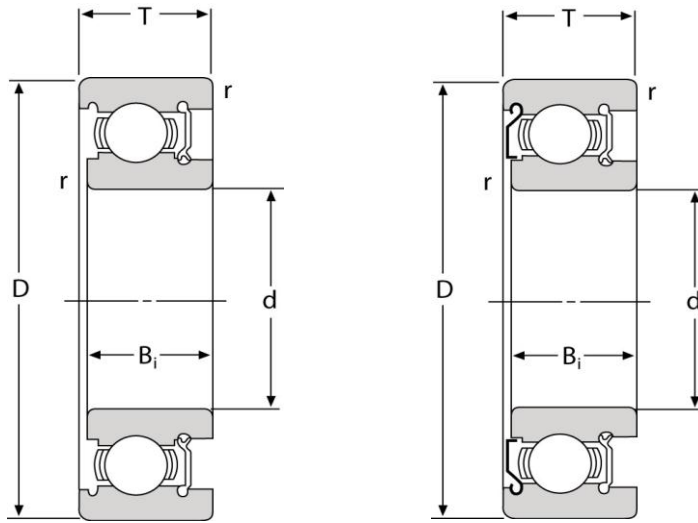


Unit No.		Bore d Inch / mm	Outer Diameter D Inch / mm	Width B Inch / mm	Radius r Inch / mm	Basic Load Rating lbs		Weight lbs
						Dynamic Cr	Static Cor	
WC8000	WC87000							
WC8006	WC87006	0.2362 6	0.9499 24	0.4063 10.319	0.012 0.3	0.750	0.315	0.060
WC8007	WC87007	0.2756 7	0.9499 24	0.4063 10.319	0.012 0.3	0.900	0.355	0.050
WC8008	WC87008	0.3150 8	0.9499 24	0.4063 10.319	0.012 0.3	0.900	0.355	0.050
WC8009	WC87009	0.3543 9	1.1811 30	0.5000 12.7	0.025 0.6	1.150	0.540	0.100
WC8011	WC87011	0.4331 11	1.2598 32	0.5000 12.7	0.025 0.6	1.370	0.315	0.110
WC8013	WC87013	0.5118 13	1.2598 32	0.5000 12.7	0.025 0.6	1.370	0.315	0.100
WC8014	WC87014	0.5512 14	1.3780 35	0.5000 12.7	0.025 0.6	1.740	0.805	0.110
WC8016	WC87016	0.6299 16	1.3780 35	0.5000 12.7	0.025 0.6	1.740	0.805	0.110
WC8026	WC87026	1.0236 26	2.0472 52	0.6250 15.875	0.040 1	3.150	1.770	0.280
WC8035	WC87035	0.1969 5	0.7480 19	0.4063 10.319	0.012 0.3	0.525	0.199	0.060
WC8036	WC87036	0.2362 6	0.7480 19	0.4063 10.319	0.012 0.3	0.525	0.199	0.060
WC8037	WC87037	0.2756 7	0.8661 22	0.4063 10.319	0.012 0.3	0.750	0.315	0.040
WC8038	WC87038	0.3150 8	0.8661 22	0.4063 10.319	0.012 0.3	0.750	0.315	0.040
WC8039	WC87039	0.3546 9	1.0236 26	0.4063 10.319	0.025 0.6	1.030	0.440	0.060



Unit No.		Bore d Inch / mm	Outer Diameter D Inch / mm	Width B Inch / mm	Radius r Inch / mm	Basic Load Rating lbs		Weight lbs
						Dynamic Cr	Static Cor	
WC8000	WC87000							
WC8500	WC87500	0.3937 10	1.1811 30	0.5000 12.7	0.025 0.6	1.150	0.540	0.090
WC8501	WC87501	0.4724 12	1.2598 32	0.5000 12.7	0.025 0.06	1.370	0.615	0.100
WC8502	WC87502	0.5906 15	1.3780 35	0.5000 12.7	0.025 0.6	1.740	0.805	0.120
WC8503	WC87503	0.6693 17	1.5748 40	0.5625 14.288	0.025 0.6	2.160	1.030	0.170
WC8504	WC87504	0.7874 20	1.8504 47	0.6250 15.875	0.040 1	2.890	1.500	0.260
WC8505	WC87505	0.9846 25	2.0472 52	0.6250 15.875	0.040 1	3.150	1.770	0.300
WC8506	WC87506	1.1811 30	2.4409 62	0.7480 20	0.040 1	4.400	2.540	0.540
WC8507	WC87507	1.3780 35	2.8346 72	0.8268 21	0.040 1	5.750	3.450	0.760
WC8508	WC87508	1.5748 40	3.1496 80	0.9449 24	0.040 1	6.550	4.000	1.000
WC8509	WC87509	1.7717 45	3.3465 85	0.9449 24	.040.1 1	7.350	4.600	1.080
WC8510	WC87510	1.9685 50	3.5433 90	1.0236 26	0.040 1	7.900	5.200	1.260
WC8511	WC87511	2.1654 55	3.9370 100	1.0630 27	0.060 1.5	9.750	6.550	1.630