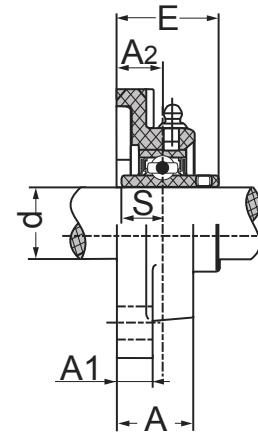
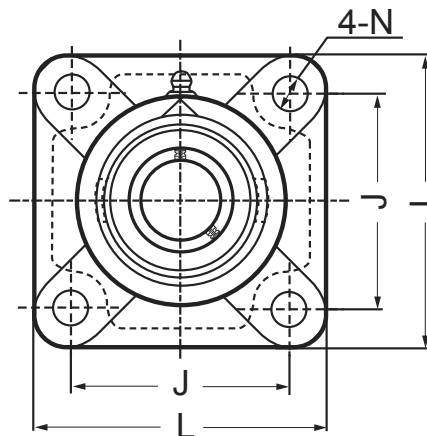
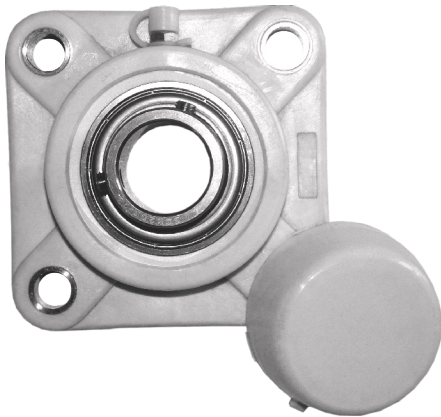




# Thermoplastic

## SUCTF 200 Series



Unit No.	Shaft Diameter (inch / mm)	Dimensions (inch / mm)								Bolt Size	Bearing No.	Housing No.	Mass	
		d	L	J	A1	A	N	E	A2				S	kg
SUCTF 201 201-8 202 202-10 203 204-12 204	12 mm 1/2 15 mm 5/8 17 mm 3/4 20 mm	3-3/8 <b>86</b>	2-1/2 <b>63.5</b>	33/64 <b>13.4</b>	1-3/32 <b>27.8</b>	7/16 <b>11</b>	1-27/64 <b>36.3</b>	45/64 <b>18</b>	1/2 <b>12.7</b>	3/8 M10	SUC 201 201-8 202 202-10 203 204-12 204	TF 204	.29	.71
SUCTF 205-14 205-15 205 205-16	7/8 15/16 25 mm 1	3-3/4 <b>95</b>	2-3/4 <b>70</b>	9/16 <b>14</b>	1-7/64 <b>28</b>	7/16 <b>11</b>	1.29/64 <b>36.7</b>	21/32 <b>17</b>	9/16 <b>14.3</b>	3/8 M10	SUC 205-14 205-15 205 205-16	TF 205	.34	.80
SUCTF 206-18 206 206-19 206-20	1-1/8 30 mm 1-3/16 1-1/4	4-1/4 <b>107</b>	3-1/4 <b>83</b>	9/16 14.3	1-1/4 <b>31.5</b>	7/16 <b>11</b>	1-5/8 <b>41.4</b>	3/4 <b>19.2</b>	5/8 <b>15.9</b>	3/8 M10	SUC 206-18 206 206-19 206-20	TF 206	.54	1.12
SUCTF 207-20 207-21 207-22 207 207-23	1-1/4 1-5/16 1-3/8 35 mm 1-7/16	4-5/8 <b>118</b>	3-5/8 <b>92</b>	39/64 15.5	1-3/8 <b>34.8</b>	33/64 <b>13</b>	1-27/32 <b>46.9</b>	27/32 <b>21.5</b>	11/16 <b>17.5</b>	1/2 M12	SUC 207-20 207-21 207-22 207 207-23	TF 207	.78	1.65
SUCTF 208-24 208-25 208	1-1/2 1-9/16 40 mm	5-1/8 <b>130</b>	4 <b>102</b>	21/32 <b>17</b>	1-15/32 <b>37.5</b>	35/64 <b>14</b>	2-3/32 <b>53.2</b>	29/32 <b>23</b>	3/4 <b>19</b>	1/2 M12	SUC 208-24 208-25 208	TF 208	.97	2.15
SUCTF 209-26 209-27 209-28 209	1-5/8 1-11/16 1-3/4 45 mm	5-3/8 <b>137</b>	4-1/8 <b>105</b>	3/4 <b>19</b>	1-39/64 <b>41</b>	21/32 <b>17</b>	2-43/64 <b>57.6</b>	15/16 <b>24</b>	3/4 <b>19</b>	5/8 M16	SUC 209-26 209-27 209-28 209	TF 209	1.09	2.45
SUCTF 210-30 210-31 210 210-32	1-7/8 1-15/16 50 mm 2	5-5/8 <b>143</b>	4-3/8 <b>111</b>	53/64 <b>21</b>	1-11/16 <b>43</b>	21/32 <b>17</b>	2-43/64 <b>57.6</b>	63/64 <b>25</b>	3/4 <b>19</b>	5/8 M16	SUC 210-30 210-31 210 210-32	TF 210	1.20	2.79