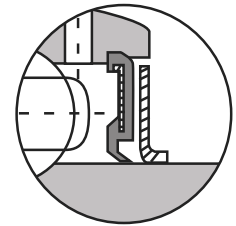
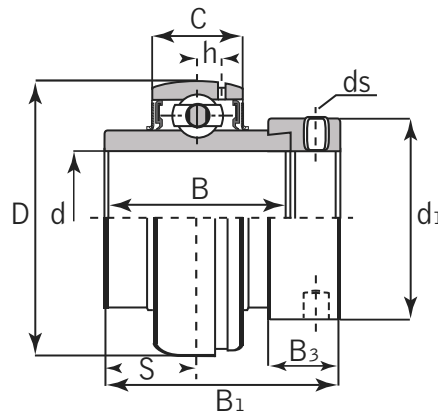


Ball Bearing Inserts

Stainless Steel - SHC Eccentric Collar Series



Dual Seal

Unit No.	Shaft Dia. (inch / mm)	Dimensions (inch / mm)									Basic Load Rating lbf / N		Mass	
		d	D	d1	B	B1	B3	C	S	h	ds	Dynamic	Static	kg
SHC 204 204-12	20 mm 3/4	1.8504 47	1.311 33.3	1.3465 34.2	1.7205 43.7	0.5315 13.5	0.6693 17	0.6793 17.1	0.146 3.7	1/4-28 UNF M6 x 0.75	2886 12840	1495 6650	0.23 0.23	0.51 0.51
SHC 205 205-14 205-15 205-16	25 mm 7/8 15/16 1	2.0472 52	1.5000 38.1	1.3740 34.9	1.7480 44.4	0.5315 13.5	0.6693 17	0.6890 17.5	0.154 3.9	1/4-28 UNF M6 x 0.75	3152 14020	1771 7880	0.27 0.31 0.29 0.27	0.59 0.68 0.64 0.59
SHC 206 206-17 206-18 206-19 206-20	30 mm 1-1/16 1-1/8 1-3/16 1-1/4	2.4409 62	1.7520 44.5	1.4370 36.5	1.9055 48.4	0.6260 15.9	0.7480 19	0.7205 18.3	0.197 5.0	5/16-24 UNF M8 x 1	4375 19460	2542 11310	0.45 0.50 0.47 0.45 0.42	0.99 1.10 1.03 0.99 0.92
SHC 207 207-20 207-21 207-22 207-23	35 mm 1-1/4 1-5/16 1-3/8 1-7/16	2.8346 72	2.189 55.6	1.4803 37.6	2.0118 51.1	0.6890 17.5	0.7874 20	0.7402 18.8	0.224 5.7	5/16-24 UNF M8 x 1	5771 25670	3439 15300	0.60 0.67 0.63 0.60 0.57	1.32 1.47 1.39 1.32 1.25
SHC 208 208-24 208-25	40 mm 1-1/2 1-9/16	3.1496 80	2.3740 60.3	1.6850 42.8	2.2165 56.3	0.7205 18.3	0.8270 21	0.8425 21.4	0.244 6.2	5/16-24 UNF M8 x 1	6636 29520	4078 18140	0.79 0.84 0.80	1.74 1.85 1.76
SHC 209 209-26 209-27 209-28	45 mm 1-5/8 1-11/16 1-3/4	3.3465 85	2.5000 63.5	1.6850 42.8	2.2165 56.3	0.7205 18.3	0.8661 22	0.8425 21.4	0.252 6.4	5/16-24 UNF M8 x 1	7119 31670	4649 20680	0.85 0.96 0.91 0.87	1.87 2.11 2.00 1.91
SHC 210 210-30 210-31 210-32	50 mm 1-7/8 1-15/16 2	3.5433 90	2.7520 69.9	1.9370 49.2	2.4685 62.7	0.7204 18.3	0.9449 24	0.9685 24.6	0.256 6.5	5/16-24 UNF M8x 1	7884 35070	5211 23180	0.99 1.08 1.02 0.96	2.18 2.38 2.24 2.11
SHC 211 211-32 211-34 211-35	55 mm 2 2-1/8 2-3/16	3.9370 100	3.000 76.2	2.1850 55.5	2.8110 71.4	0.8150 20.7	0.9843 25	1.0945 27.8	0.276 7.0	3/8-24 UNF M10 x 1.25	9752 43380	6569 29220	1.32 1.52 1.37 1.29	2.90 3.34 3.01 2.84
SHC 212 212-36 212-38 212-39	60 mm 2-1/4 2-3/8 2-7/16	4.3307 110	3.3150 84.2	2.4370 61.9	3.0630 77.8	0.8780 22.3	1.0630 27	1.2205 31	0.299 7.6	3/8-24 UNF M10 x 1.25	10736 47760	7403 32930	1.88 2.04 1.90 1.77	4.14 4.49 4.18 3.89

Other sizes could be available upon request. Minimum quantity may apply.
Please refer to page 52 for setscrew maximum torque informations.