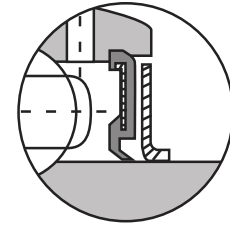
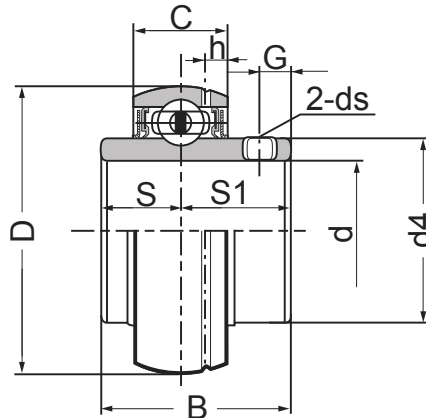
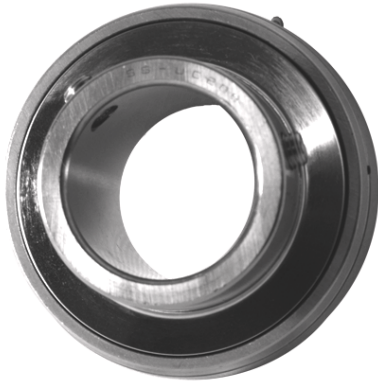




Ball Bearing Inserts

Stainless Steel - SUC Series



Dual Seal

Unit No.	Shaft Diameter (in / mm)	Dimensions (in / mm)									Basic Load Rating lbf / N		Mass	
	d	D	B	C	S	S1	G	ds	d4	h	Dynamic Cr	Static C0r	kg	lbs
SUC 201	12 mm												0.21	0.46
201-8	1/2												0.21	0.46
202	15 mm	1.8504	1.2205	0.6290	0.500	0.7205	0.197	10-32	1.142	0.185	2524	1320	0.20	0.44
202-10	5/8	47	31.0	17	12.7	18.3	5.0	M5 X 0.8	29.01	4.7	11228	5873	0.19	0.42
203	17 mm												0.18	0.40
204-12	3/4												0.18	0.39
204	20 mm												0.17	0.37
SUC 205-14	7/8	2.0472	1.343	0.6693	0.563	0.7756	0.217	10-32	1.339	0.177	2524	1320	0.23	0.51
205-15	15/16	52	34.1	17	14.3	19.7	5.5	M5 X 0.8	34.01	4.5	11228	5873	0.21	0.46
205	25 mm												0.20	0.44
205-16	1												0.20	0.44
SUC 206-18	1-1/8	2.4409	1.5000	0.7480	0.626	0.8740	0.236	1/4-28	1.594	0.181	3504	1909	0.37	0.82
206	30 mm	62	38.1	19	15.9	22.2	6.0	M6 X 0.75	40.49	4.6	15588	8490	0.33	0.73
206-19	1-3/16												0.33	0.73
206-20	1-1/4												0.30	0.66
SUC 207-20	1-1/4	2.8346	1.6890	0.7874	0.689	1.0000	0.256	1/4-28	1.843	0.181	4624	2595	0.55	1.21
207-21	1-5/16	72	42.9	20	17.5	25.4	6.5	M6 X 0.75	46.81	4.6	20568	11543	0.52	1.15
207-22	1-3/8												0.49	1.08
207	35 mm												0.49	1.08
207-23	1-7/16												0.46	1.01
SUC 208-24	1-1/2	3.1496	1.9370	0.8268	0.748	1.1890	0.315	5/16-24	2.079	0.177	4632	3034	0.69	1.52
208-25	1-9/16	80	49.2	21	19.0	30.2	8.0	M8 X 1	52.81	4.5	20604	13496	0.66	1.46
208	40 mm												0.65	1.43
SUC 209-26	1-5/8	3.3465	1.9370	0.8661	0.748	1.1890	0.315	5/16-24	2.307	0.193	5888	3450	0.80	1.76
209-27	1-11/16	85	49.2	22	19.0	30.2	8.0	M8 X 1	58.60	4.9	26192	15345	0.76	1.68
209-28	1-3/4												0.71	1.57
209	45 mm												0.70	1.54
SUC 210-30	1-7/8	3.5433	2.0315	0.9055	0.748	1.2835	0.354	5/16-24	2.449	0.232	6320	3885	0.87	1.92
210-31	1-15/16	90	51.6	23	19.0	32.6	9.0	M8 X 1	62.20	5.9	28112	17280	0.82	1.81
210	50 mm												0.80	1.76
210-32	2												0.77	1.69
SUC 211-32	2	3.9370	2.1890	0.9440	0.874	1.3150	0.354	3/8-24	2.756	0.236	7808	4914	1.23	2.71
211-34	2-1/8	100	55.6	24	22.2	33.4	9.0	M8 X 1	70.00	6.0	34732	21859	1.18	2.60
211	55 mm												1.08	2.376
211-35	2-3/16												1.06	2.34
SUC 212-36	2-1/4	4.3307	2.5630	1.024	1.000	1.5630	0.394	3/8-24	3.031	0.244	9440	6071	1.66	3.66
212	60 mm	110	65.1	26	25.4	39.7	10.0	M10 X 1.25	76.99	6.2	41992	27008	1.53	3.37
212-38	2-3/8												1.51	3.33
212-39	2-7/16												1.44	3.17

Other sizes could be available upon request. Minimum quantity may apply.
Please refer to page 52 for setscrew maximum torque informations.