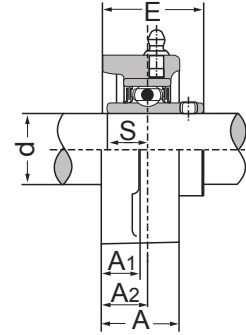
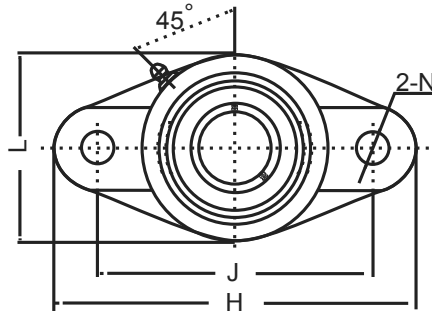
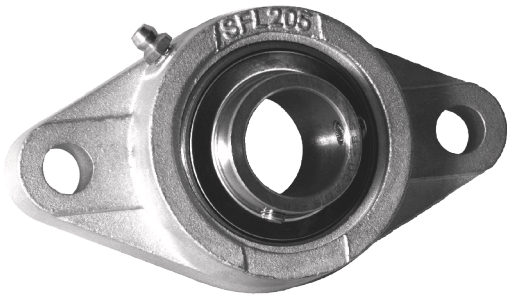




Oval Flange Units

Stainless Steel - SSUCFL Series



Also available with eccentric locking collar bearing

Unit No.	Shaft Dia. (inch / mm)	Dimensions (inch / mm)									Bolt Size	Bearing No.	Housing No.	Mass	
		d	H	J	A2	A1	A	N	L	E				S	kg
SSUCFL 201 201-8 202 202-10 203 204-12 204	12 mm 1/2 15 mm 5/8 17 mm 3/4 20 mm	4-7/16 113	3-35/64 90.1	19/32 15	7/16 11	1 25.4	15/32 12	2-3/8 60.3	1-5/16 33.3	0.500 12.7	3/8 M10	SUC 201 201-8 202 202-10 203 204-12 204	SFL 204	0.5	1.1
SSUCFL 205-14 205-15 205 205-16	7/8 15/16 25 mm 1	5-1/8 130	3-57/64 98.8	5/8 16	1/2 13	1-1/16 27.0	5/8 16	2-11/16 68.3	1-13/32 35.8	0.563 14.3	1/2 M14	SUC 205-14 205-15 205 205-16	SFL 205	0.6	1.3
SSUCFL 206-18 206 206-19 206-20	1-1/8 30 mm 1-3/16 1-1/4	5-13/16 148	4-39/64 117.1	45/64 18	1/2 13	1-7/32 31	5/8 16	3-5/32 80.2	1-37/64 40.2	0.626 15.9	1/2 M14	SUC 206-18 206 206-19 206-20	SFL 206	0.9	2.0
SSUCFL 207-20 207-21 207-22 207 207-23	1-1/4 1-5/16 1-3/8 35 mm 1-7/16	6-11/32 161	5-1/8 130.2	3/4 19	19/32 15	1-11/32 34.1	5/8 16	3-17/32 89.7	1-3/4 44.4	0.689 17.5	1/2 M14	SUC 207-20 207-21 207-22 207 207-23	SFL 207	1.2	2.6
SSUCFL 208-24 208-25 208	1-1/2 1-9/16 40 mm	6-7/8 175	5-43/64 144.1	53/64 21	19/32 15	1-13/32 35.7	5/8 16	3-15/16 100.0	2-1/64 51.2	0.748 19	1/2 M14	SUC 208-24 208-25 208	SFL 208	1.6	3.5
SSUCFL 209-26 209-27 209-28 209	1-5/8 1-11/16 1-3/4 45 mm	7-13/32 188	5-53/64 148.0	55/64 22	5/8 16	1-1/2 38.1	3/4 19	4-1/4 108.0	2-1/16 52.2	0.748 19	5/8 M16	SUC 209-26 209-27 209-28 209	SFL 209	1.9	4.2
SSUCFL 210-30 210-31 210 210-32	1-7/8 1-15/16 50 mm 2	7-3/4 197	6-3/16 157.2	55/64 22	5/8 16	1-9/16 39.7	3/4 19	4-17/32 115.1	2-5/32 54.6	0.748 19	5/8 M16	SUC 210-30 210-31 210 210-32	SFL 210	2.2	4.9
SSUCFL 211-32 211-34 211 211-35	2 2-1/8 55 mm 2-3/16	8-13/16 224	7-1/4 184.2	63/64 25	23/32 18	1-11/16 42.9	3/4 19	5-1/8 130.2	2-19/64 58.4	0.874 22.2	5/8 M16	SUC 211-32 211-34 211 211-35	SFL 211	3.1	6.8
SSUCFL 212-36 212 212-38 212-39	2-1/4 60 mm 2-3/8 2-7/16	9-27/32 250	7-61/64 202.0	1-9/64 29	23/32 18	1-7/8 47.6	29/32 23	5-1/2 139.7	2-45/64 68.7	1.000 25.4	3/4 M20	SUC 212-36 212 212-38 212-39	SFL 212	4.0	8.8

Other sizes could be available upon request. Minimum quantity may apply.
Please refer to page 52 for setscrew maximum torque informations.