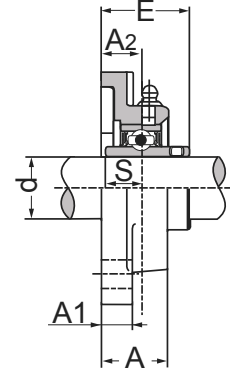
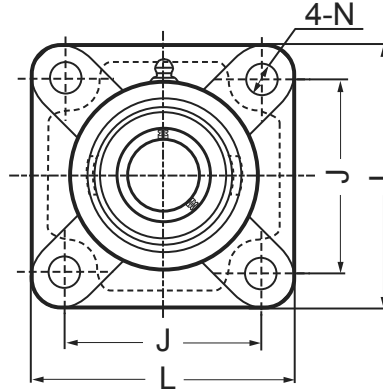
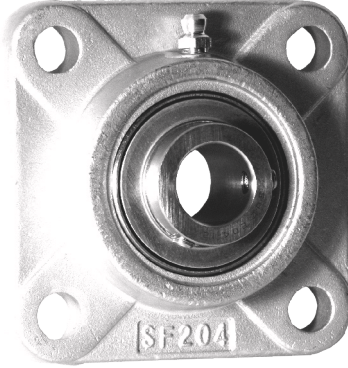


# Square Flange Units

## Stainless Steel - SSUCF Series



Also available with eccentric locking collar bearing

| Unit No.  | Shaft Dia.<br>d<br>(inch / mm)                        | Dimensions (inch / mm) |                        |                     |                    |                        |                    |                        |                      | Bolt Size   | Bearing No.   | Housing No. | Mass |     |
|---|---|------------------------|------------------------|---------------------|--------------------|------------------------|--------------------|------------------------|----------------------|-------------|---|-------------|------|-----|
|   |   | L                      | J                      | A2                  | A1                 | A                      | N                  | E                      | S                    |             |   |             | kg   | lbs |
| SSUCF 201<br>201-8<br>202<br>202-10<br>203<br>204-12<br>204 | 12 mm<br>1/2<br>15 mm<br>5/8<br>17 mm<br>3/4<br>20 mm | 3-3/8<br><b>86</b>     | 2-33/64<br><b>63.9</b> | 19/32<br><b>15</b>  | 7/16<br><b>11</b>  | 1<br><b>25.5</b>       | 15/32<br><b>12</b> | 1-5/16<br><b>33.3</b>  | 0.500<br><b>12.7</b> | 3/8<br>M10  | SUC 201<br>201-8<br>202<br>202-10<br>203<br>204-12<br>204 | SF 204      | 0.7  | 1.5 |
| SSUCF 205-14<br>205-15<br>205<br>205-16                     | 7/8<br>15/16<br>25 mm<br>1                            | 3-3/4<br><b>95</b>     | 2-3/4<br><b>69.9</b>   | 5/8<br><b>16</b>    | 1/2<br><b>13</b>   | 1-1/16<br><b>27.0</b>  | 15/32<br><b>12</b> | 1-13/32<br><b>35.8</b> | 0.563<br><b>14.3</b> | 3/8<br>M10  | SUC 205-14<br>205-15<br>205<br>205-16                     | SF 205      | 0.8  | 1.8 |
| SSUCF 206-18<br>206<br>206-19<br>206-20                     | 1-1/8<br>30 mm<br>1-3/16<br>1-1/4                     | 4-1/4<br><b>108</b>    | 3-17/64<br><b>82.9</b> | 45/64<br><b>18</b>  | 1/2<br><b>13</b>   | 1-7/32<br><b>31.0</b>  | 15/32<br><b>12</b> | 1-37/64<br><b>40.2</b> | 0.626<br><b>15.9</b> | 3/8<br>M10  | SUC 206-18<br>206<br>206-19<br>206-20                     | SF 206      | 1.0  | 2.2 |
| SSUCF 207-20<br>207-21<br>207-22<br>207<br>207-23           | 1-1/4<br>1-5/16<br>1-3/8<br>35 mm<br>1-7/16           | 4-19/32<br><b>117</b>  | 3-5/8<br><b>92.1</b>   | 3/4<br><b>19</b>    | 19/32<br><b>15</b> | 1-11/32<br><b>34.0</b> | 35/64<br><b>14</b> | 1-3/4<br><b>44.4</b>   | 0.689<br><b>17.5</b> | 7/16<br>M12 | SUC 207-20<br>207-21<br>207-22<br>207<br>207-23           | SF 207      | 1.4  | 3.1 |
| SSUCF 208-24<br>208-25<br>208                               | 1-1/2<br>1-9/16<br>40 mm                              | 5-1/8<br><b>130</b>    | 4-1/64<br><b>102.0</b> | 53/64<br><b>21</b>  | 19/32<br><b>15</b> | 1-13/32<br><b>36.0</b> | 5/8<br><b>16</b>   | 2-1/64<br><b>51.2</b>  | 0.748<br><b>19</b>   | 1/2<br>M14  | SUC 208-24<br>208-25<br>208                               | SF 208      | 1.8  | 4.0 |
| SSUCF 209-26<br>209-27<br>209-28<br>209                     | 1-5/8<br>1-11/16<br>1-3/4<br>45 mm                    | 5-13/32<br><b>137</b>  | 4-9/64<br><b>105.2</b> | 55/64<br><b>22</b>  | 5/8<br><b>16</b>   | 1-1/2<br><b>38.0</b>   | 5/8<br><b>16</b>   | 2-1/16<br><b>52.2</b>  | 0.748<br><b>19</b>   | 1/2<br>M14  | SUC 209-26<br>209-27<br>209-28<br>209                     | SF 209      | 2.2  | 4.9 |
| SSUCF 210-30<br>210-31<br>210<br>210-32                     | 1-7/8<br>1-15/16<br>50 mm<br>2                        | 5-5/8<br><b>143</b>    | 4-3/8<br><b>111.1</b>  | 55/64<br><b>22</b>  | 5/8<br><b>16</b>   | 1-9/16<br><b>40.0</b>  | 5/8<br><b>16</b>   | 2-5/32<br><b>54.6</b>  | 0.748<br><b>19</b>   | 1/2<br>M14  | SUC 210-30<br>210-31<br>210<br>210-32                     | SF 210      | 2.4  | 5.3 |
| SSUCF 211-32<br>211-34<br>211<br>211-35                     | 2<br>2-1/8<br>55 mm<br>2-3/16                         | 6-3/8<br><b>162</b>    | 5-1/8<br><b>130.2</b>  | 63/64<br><b>25</b>  | 23/32<br><b>18</b> | 1-11/16<br><b>43.0</b> | 3/4<br><b>19</b>   | 2-19/64<br><b>58.4</b> | 0.874<br><b>22.2</b> | 5/8<br>M16  | SUC 211-32<br>211-34<br>211<br>211-35                     | SF 211      | 3.6  | 7.9 |
| SSUCF 212-36<br>212<br>212-38<br>212-39                     | 2-1/4<br>60 mm<br>2-3/8<br>2-7/16                     | 6-7/8<br><b>175</b>    | 5-5/8<br><b>142.9</b>  | 1-9/64<br><b>29</b> | 23/32<br><b>18</b> | 1-7/8<br><b>48.0</b>   | 3/4<br><b>19</b>   | 2-45/64<br><b>68.7</b> | 1<br><b>25.4</b>     | 5/8<br>M16  | SUC 212-36<br>212<br>212-38<br>212-39                     | SF 212      | 4.4  | 9.7 |

Other sizes could be available upon request. Minimum quantity may apply.  
Please refer to page 52 for setscrew maximum torque informations.