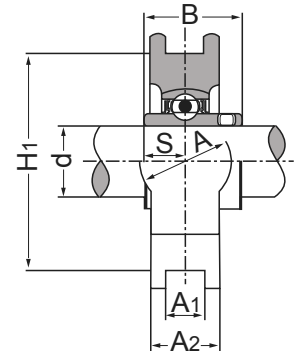
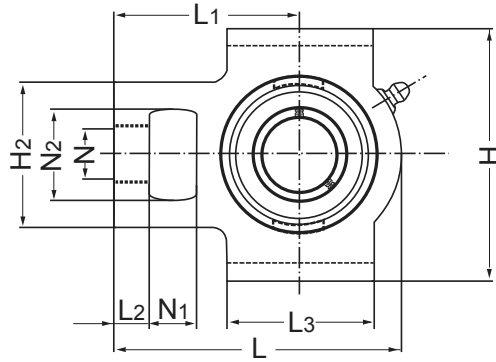




Take-Up Unit series

Stainless Steel - SSUCST Series



Also available with eccentric locking collar bearing

Unit No.	Shaft Dia. (in / mm)	Dimensions (in / mm)														Bearing No.	Housing No.	Mass	
		d	N1	L2	H2	N2	N	L3	A1	H1	H	L	A	L1	B			S	kg
SSUCST 201 201-8 202 202-10 203 204-12 204	12 mm 1/2 15 mm 5/8 17 mm 3/4 20 mm	5/8 16.0	3/8 9.5	2 51.0	1-1/4 32.0	3/4 19.0	2 51.0	17/32 13.5	3 76.2	3-1/2 88.9	3-11/16 93.5	1-3/8 35.0	2-3/8 60.3	1-7/32 31.0	1/2 12.70	SUC 201 201-8 202 202-10 203 204-12 204	SST 204	1.0	2.1
SSUCST 205-14 205-15 205 205-16	7/8 15/16 25 mm 1	5/8 16.0	3/8 9.5	2 51.0	1-1/4 32.0	3/4 19.0	2 51.0	17/32 13.5	3 76.2	3-1/2 88.9	3-13/16 97.0	1-1/2 38.0	2-7/16 61.9	1-3/8 34.9	9/16 14.29	SUC 205-14 205-15 205 205-16	SST 205	1.2	2.6
SSUCST 206-18 206 206-19 206-20	1-1/8 30 mm 1-3/16 1-1/4	5/8 16.0	3/8 9.5	2-3/16 55.5	1-7/16 36.5	7/8 22.0	2-1/4 57.0	17/32 13.5	3-1/2 88.9	4 101.6	4-7/16 112.5	1-3/4 44.5	2-3/4 69.9	1-1/2 38.1	5/8 15.88	SUC 206-18 206 206-19 206-20	SST 206	1.5	3.4
SSUCST 207-20 207-21 207-22 207 207-23	1-1/4 1-5/16 1-3/8 35 mm 1-7/16	5/8 16.0	1/2 12.5	2-1/2 63.5	1-7/16 36.5	7/8 22.0	2-1/2 57.0	17/32 13.5	3-1/2 88.9	4 101.6	5-1/16 128.5	1-3/4 44.5	3-1/16 77.8	1-11/16 42.9	11/16 17.46	SUC 207-20 207-21 207-22 207 207-23	SST 207	1.8	4.0
SSUCST 208-24 208-25 208	1-1/2 1-9/16 40 mm	3/4 19.0	5/8 16.0	3-1/4 82.5	1-15/16 49.0	1-1/8 28.5	3-1/4 82.5	11/16 17.5	4 101.6	4-1/2 114.3	5-11/16 144.5	2-1/8 54.0	3-1/2 88.9	1-15/16 49.2	3/4 19.05	SUC 208-24 208-25 208	SST 208	2.7	6.0
SSUCST 209-26 209-27 209-28 209	1-5/8 1-11/16 1-3/4 45 mm	3/4 19.0	5/8 16.0	3-1/4 82.5	1-15/16 49.0	1-1/8 28.5	3-1/4 82.5	11/16 17.5	4 101.6	4-5/8 117.5	5-11/16 144.5	2-3/16 55.5	3-7/16 87.3	1-15/16 49.2	3/4 19.05	SUC 209-26 209-27 209-28 209	SST 209	2.7	6.0
SSUCST 210-30 210-31 210 210-32	1-7/8 1-15/16 50 mm 2	3/4 19.0	5/8 16.0	3-1/4 82.5	1-15/16 49.0	1-1/8 28.5	3-3/8 85.5	11/16 17.5	4 101.6	4-5/8 117.5	5-7/8 149.0	2-3/16 55.5	3-9/16 90.5	2-1/32 51.6	3/4 19.05	SUC 210-30 210-31 210 210-32	SST 210	2.7	6.0

Other sizes could be available upon request. Minimum quantity may apply.
Please refer to page 52 for setscrew maximum torque informations.